



WARNING

To reduce the risk of personal injury or property damage from fire, electric shock, falling parts, cuts/abrasions and other hazards, read all warnings and instructions included. Before installing, servicing, or performing routine maintenance on this equipment, follow these general precautions.

Commercial installation, service and maintenance of luminaires should be performed by a qualified licensed electrician. If you are unsure about the installation or maintenance of the luminaires, consult a qualified licensed electrician and check your local electrical code.

Do not make or alter any open holes in an enclosure of wiring or electrical components during kit installation.

Turn off electrical power at fuse or circuit breaker before wiring fixture to the power supply.

All connections should be capped with UL approved wire connectors.

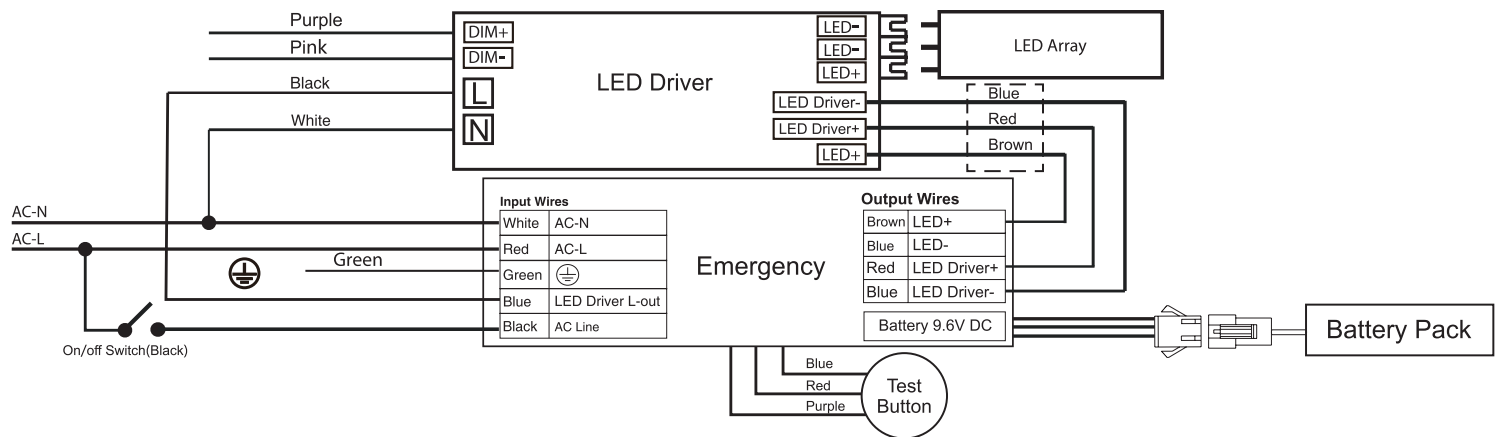
Keep away from any corrosive substance.

Use a dry cloth when cleaning fixture.

Not suitable for wet locations.

"Class I wiring" for dimming wire.

NOTE: PLEASE REFER TO THE FOLLOWING WIRING DIAGRAM WHEN CONNECTING THE EMERGENCY DRIVER.



TAA	5 YEAR WARRANTY	120-277V	0-10V DIMMING	80+ CRI	EMG OPTIONAL EMG BATTERY BACKUP	110° BEAM ANGLE	0°F TO 114°F OPERATING TEMP	2.5kA SURGE PROTECTION	L70 50,000hrs RATED LIFE
------------	------------------------	-----------------	----------------------	----------------	--	------------------------	------------------------------------	-------------------------------	---------------------------------

PART #	UPC	DESCRIPTION	LUMENS	WATTAGE	CCT	DLC CODES
RP-TF-G1-1X4-40W-40K-WC-TAA	844006009847	1 FT X 4 FT FLAT PANEL FIXTURE	2600/3900/5200	20/30/40	3500K/4000K/5000K	S-WQ239X
RP-TF-G1-2X2-40W-40K-WC-TAA	844006009793	2 FT X 2 FT FLAT PANEL FIXTURE				S-G5ZQY8
RP-TF-G1-2X4-50W-40K-WC-TAA	844006009786	2 FT X 4 FT FLAT PANEL FIXTURE	3900/5200/6500	30/40/50		S-N155V0

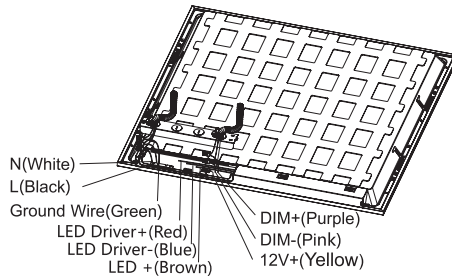
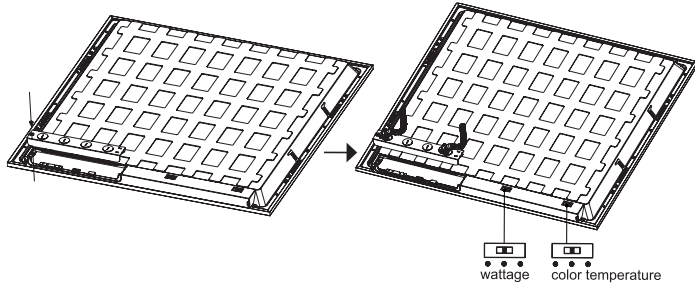




INSTALLATION

1. UNSCREW DRIVER COVERS AND CONNECT CONDUIT TO DRIVER BOX.

2. CONNECT COORDINATING WIRES. SECURE DRIVER COVERS TO FIXTURE.



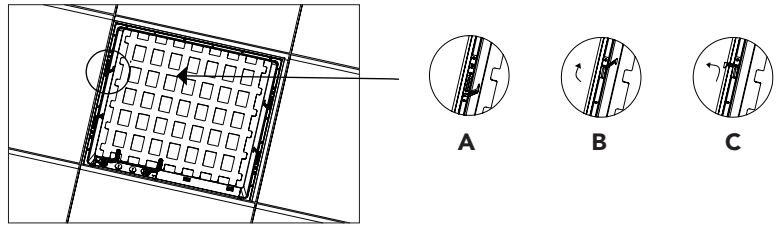
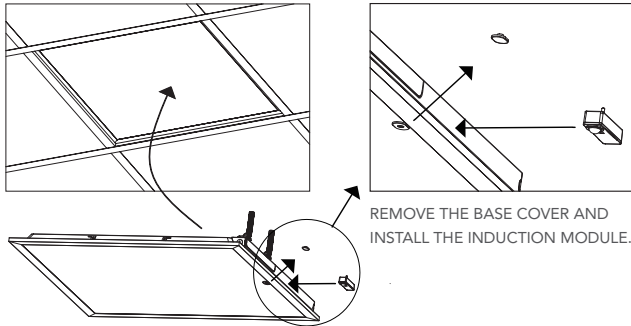
Black	○	Line
White	○	Neutral
Green/Yellow Green	○	Ground
Purple	○	DIM+
Pink	○	DIM-
Yellow	○	12V+
Red	○	LED Driver+
Blue	○	LED Driver-
Brown	○	LED+

RECESSED INSTALLATION

NOTE CONFIRM SIZE OF FIXTURE TO SIZE OF CEILING PANEL. CONFIRM CEILING CAN SUPPORT WEIGHT OF FIXTURE. THE FIXTURE MUST BE FULLY RECESSED INTO THE CHANNEL. SPACE FOR ADJUSTMENT CANNOT BE MORE THAN 1/8" (33MM) OR FIXTURE WILL FALL.

1. REPLACE EXISTING LIGHT FIXTURE WITH LED PANEL.

2. USE PROTECTIVE BRACKETS FOR SAFETY. SEE DIAGRAMS A, B, C.



* THIS DEVICE COMPLIES WITH PART 15 OF THE FCC RULES. OPERATION IS SUBJECT TO THE FOLLOWING TWO CONDITIONS: (1) THIS DEVICE MAY NOT CAUSE HARMFUL INTERFERENCE, AND (2) THIS DEVICE MUST ACCEPT ANY INTERFERENCE RECEIVED, INCLUDING INTERFERENCE THAT MAY CAUSE UNDESIRABLE OPERATION.