

PIN-BASED



TYPE A 4-PIN PL INSTALLATION GUIDE (TYPE A) MODEL NUMBERS: LED-7330-XXK-G2, LED-7334-XXK-G2



WARNING

These instructions apply to the LED-7330-XXK-G2 and LED-7334-XXK-G2 PL lamps. Prior to installation, please read the entire installation instructions.

DANGER - Risk of Electric shock. Disconnect power to the luminaire at the source before installation.

WARNING - Risk of Fire or electric shock. LED Retrofit Kit installation requires knowledge of luminaires electrical systems. If not qualified, do not attempt installation. Contact a qualified electrician. Installation should be performed by a qualified electrician in accordance with the National Electrical Code and relevant local code.

WARNING - Risk of fire or electrical shock. Install this kit only in the luminaires that have the construction features and dimensions shown in the photographs and/or drawings and where the input rating does not exceed the input rating of the luminaire.

WARNING - To prevent wiring damage or abrasion, do not expose wiring to edges of sheet metal or other sharp objects.

CAUTION - If the lamp or luminaire exhibits undesirable operation, immediately turn off the power, remove the lamp and contact the manufacturer.

This device is not intended for use with Emergency Exits

Suitable for use in damp locations. Do not use where exposed to water.

Suitable for use with compatible electronic ballast. Please see list below.

Suitable for horizontal installation in open, semi-enclosed or recessed fixtures.

Not for use in fully enclosed fixtures.

WARRANTY

These Light Efficient Design LED PL Lamp retrofits are covered by a 5 year limited warranty. Please see web site www.led-llc.com for more information.

INSTALLATION REQUIREMENTS

PART #	BALLAST COMPATIBILITY*	BASE	ENVIRONMENT	ACCEPTABLE FIXTURES	MINIMUM FIXTURE DIMENSIONS
LED-7330-XXK-G2	SEE TABLE ON PAGE 2	G24q/GX24q	DAMP & DRY LOCATIONS	INDOOR - OPEN FIXTURE OUTDOOR - RECESSED	3.5" X 7.0"
LED-7334-XXK-G2	SEE TABLE ON PAGE 2	G24q/GX24q	DAMP & DRY LOCATIONS	INDOOR - OPEN FIXTURE	3.5" X 7.0"

* For applications that require dimming, use a dimmable ballast.



TYPE A 4-PIN PL INSTALLATION GUIDE

(TYPE A)
MODEL NUMBERS: LED-7330-XXK-G2, LED-7334-XXK-G2

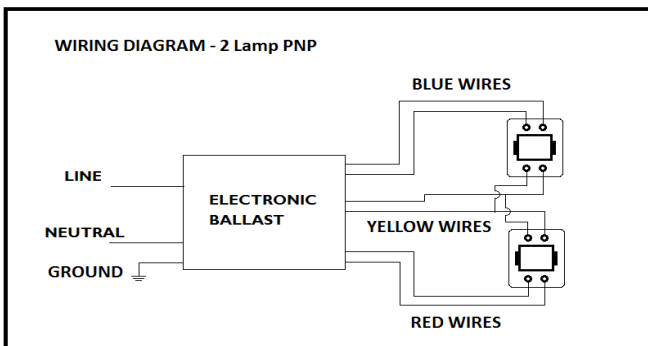
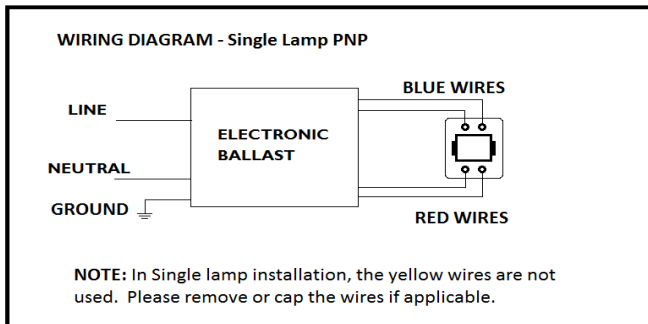
CONTENTS

- 1 pc LED Retrofit Lamp
- 1 pc Re-Lamping Label
- 1 pc Installation Instructions

INSTALLATION INSTRUCTIONS

1. Turn off power to the luminaire at switch and circuit breaker.
2. Allow luminaire to cool and remove lamps
3. Ensure that the luminaire, ballast and electrical input meet the requirements listed above, and are in good condition. Ensure that luminaire is open. Do not install in fully enclosed fixture.
4. Confirm that the ballast is compatible based on the ballast compatibility list shown below.
5. Insert the lamp into the lamp holder.
6. Apply the silver adhesive label to the inside of the luminaire where it will be visible during re-lamping.
6. For LED-7334-XXK-G2 only, rotate the light head so that the led panel is projecting the light in the proper direction.
7. Turn on the power to the fixture and verify proper operation.

WIRING DIAGRAM AND BALLAST COMPATIBILITY LIST



Ballast Compatibility List							
Item	Brand	Model	Volt	1-Lamp		2-Lamp	
				120V	277V	120V	277V
1	GE	GEC218-MVPS-3W	120-277V	√	√	√	√
2	GE	GEC226-MVPS-3W	120-277V	√	√	√	√
3	PHILIPS/ADVANCE	ICF-2S18-H1-LD	120-277V	√	√	√	√
4	PHILIPS/ADVANCE	ICF-2S26-H1-LD	120-277V	√	√	√	√
5	PHILIPS/ADVANCE	ICF-2S42-M2-LD	120-277V	√	√	√	√
6	PHILIPS/ADVANCE	REZ-2Q26-M2-LD	120V	√	√	√	√
7	Universal/Triad	C218UNVSE	120-277V	√	√	√	√
8	Universal/Triad	C213UNVME	120-277V	√	√	√	√
9	Universal/Triad	C2642UNVME	120-277V	√	√	√	√
10	OSRAM/SYLVANIA	2*26CF/UNV DM	120-277V	×	×	×	×
11	FULHAM	WH2-277-L	120-277V	×	×	×	×
12	HATCH	HC213PS/UV/D	120-277V	×	×	×	×
13	HATCH	HC218PS/UV/WJ	120-277V	×	×	×	×
14	HATCH	HC218PS/UV/D	120-277V	×	×	×	×
15	KEYSTONE	KTEB-226-UV-PS-DW	120-277V	×	×	×	×
16	PONY	NPY-120-126CFL	120V	×	×	×	×
				√	Compatible		
				×	Not Compatible		