

INSTALLATION INSTRUCTIONS

The unit covered by this report is intended to retrofit surface mount, Type IC or non-IC recessed mount listed fluorescent luminaires that use maximum four straight tubular lamps, the maximum dimension of luminaires are tabulated below.

Model	Maximum Luminaire dimensions [Length x Width x Height] [cm]	Lamp Quantity
RP-T5C/T8C-G1-2FT-TAA RP-T5C/T8C-G1-3FT-TAA RP-T5C/T8C-G1-4FT-TAA	121.5 x 60.5 x 7.5	4

Tested with below ballast. See instructions or website for more information on ballast compatibility.

Driver MFR	Driver Model	Max Lamp Quantity
ANTRON COMPACT ELECTRONICS LLP(E332747)	AC-30CD1.25APNY	4

Parts/Components included in Kit

Retrofit Kit Installation Instruction	LED lamps
Luminaire Markings (Affixed to Luminaire)	LED drivers

This device complies with Part 15 of the FCC Rules. Operation is subject to the following two conditions:
(1) this device may not cause harmful interference, and
(2) this device must accept any interference received, including interference that may cause undesired operation.

-4-

Operation Instruction

External Driver

Product Name: LED T8 Tube Series

Product Model: External Driver Lamp

1.Product Features:

- UL certified
- Full glass housing: No aging yellowing bending

2.Product Applications:

Widely used in residential buildings, offices, shopping malls, supermarkets, hospitals, assembly lines, warehouses, etc. for energy saving illumination.

3.Installation Instructions:

Please completely comply with these instructions and notes, to ensure that the product is operated in a safe condition.

△ Safety Precautions:

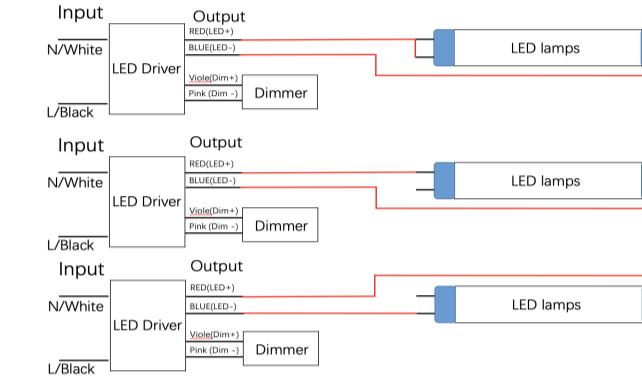
For your and others' safety, please read the precaution carefully before installation:

- Product should be installed by qualified electrician.
- Switch off the power supply before commencing work, make sure connection is correct before turning power on.
- Do not apply uncertified LED driver with the product.

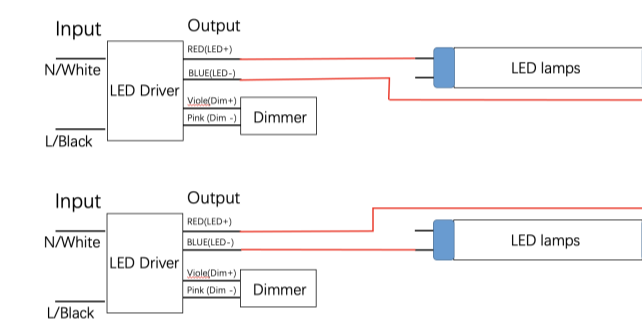
-1-

Wiring Instruction - Electronic Ballast

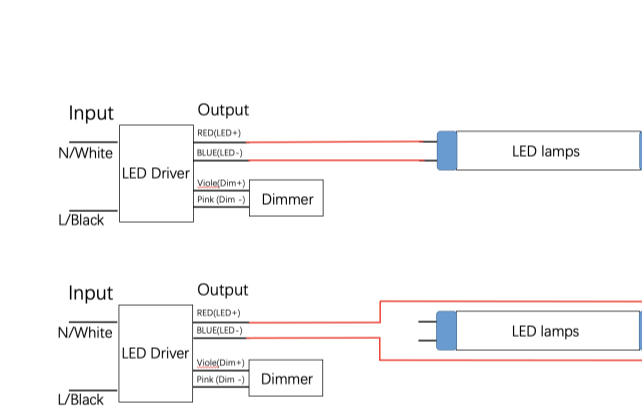
3 Lamp Type C Tube double end wiring (LED Driver output +/- without distinction, can be arbitrarily connected)



2 Lamp Type C Tube double end wiring (LED Driver output +/- without distinction, can be arbitrarily connected)



2 Lamp Type C Tube double end wiring (LED Driver output +/- without distinction, can be arbitrarily connected)



-2-

△ WARNING:

WARNING- Risk of fire or electric shock. Luminaire wiring and electrical parts may be damaged when drilling for installation of LED retrofit kit. Check for enclosed wiring and components.
AVERTISSEMENT - Risque d'incendie ou de choc électrique. Câblage du luminaire et pièces électriques peuvent être endommagés lors du forage pour l'installation du kit de conversion à LED. Vérifier le câblage et les composants clos.

WARNING- Risk of fire or electric shock. LED Retrofit Kit installation requires knowledge of luminaire electrical systems. If not, do not attempt installation. Contact a qualified electrician.
AVERTISSEMENT - Risque d'incendie ou de choc électrique. Installation du kit de Retrofit LED exige une connaissance des systèmes électriques luminaires. Si vous n'êtes pas qualifié, ne tentez pas de l'installation. Contactez un électricien qualifié.

WARNING- Risk of fire or electric shock. Install this kit only in luminaires that have the construction features and dimensions shown in the photographs and/or drawings and where the input rating of the retrofit kit does not exceed the input rating of the luminaire.
AVERTISSEMENT - Risque d'incendie ou de choc électrique. Installez ce kit dans des luminaires qui ont les caractéristiques de construction et les dimensions indiquées dans les photographies et / ou dessins et la cote de l'entrée de la trousse de réparation ne dépasse pas la capacité d'entrée du luminaire.

WARNING- To prevent damage to wiring, do not expose wires to the edges of sheet metal or other sharp objects.
AVERTISSEMENT - Pour éviter d'endommager le câblage, ne pas exposer les fils sur les bords de tôle métalliques ou sur d'autres objets pointus.

THIS RETROFIT KIT IS ACCEPTED AS A COMPONENT OF A LUMINAIRE WHERE THE SUITABILITY OF THE COMBINATION SHALL BE DETERMINED BY AUTHORITIES HAVING JURISDICTION.

Installers should not disconnect existing wires from lamp holder terminals to make new connections at lamp holder terminals. Instead installers should cut existing lamp holder leads away from the lamp holder and make new electrical connections to lamp holder lead wires by employing applicable connectors. All electrical connections shall be provided within an enclosure.

Do not make or alter any open holes in an enclosure of wiring or electrical components during kit installation.

-3-