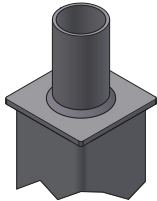




SOLAR POLE OFFERING - STRAIGHT STEEL ANCHOR BASE

PART #	MOUNTING HT	MAX EPA				SHAFT DIA	WALL THICKNESS	ANCHOR BOLT DIA	BOLT CIRCLE	BASE PLATE SQ	BASE PLATE HT
		(80)	(90)	(100)	(120)						
SQUARE											
SL-RPSQ-10-4-11-AB-T2-XX	10'	25.7	20.8	16.8	11.8	4"	11 GA	.75" X 20"	8.5"	8"	.75"
SL-RPSQ-15-4-11-AB-T2-XX	15'	15.1	12.3	9.8	7.0						
SL-RPSQ-20-5-11-AB-T2-XX	20'	16.0	12.9	10.4	7.4	5"	7 GA	1"	11"	11"	1"
SL-RPSQ-25-5-7-AB-T2-XX	25'	17.5	14.2	11.4	8.1						
SL-RPSQ-30-6-7-AB-T2-XX	30'	17.9	14.5	11.7	8.3	6"			11.5"	12"	
ROUND											
SL-RSP-8-3-11-AB-T2-XX	8'	11.2	8.4	6.2	3.7	3"	11 GA	.75" X 20"	8.5"	8"	.75"
SL-RSP-12-3-11-AB-T2-XX	12'	6.9	5.0	3.9	2.1						
SL-RSP-14-4-11-AB-T2-XX	14'	11.7	8.9	7.1	4.0	4"					
SL-RSP-25-5-7-AB-T2-XX	25'	12.0	9.2	7.5	4.2	5"	7 GA	1" X 40"	10"	10"	1"

XX = FINISH COLOR, BK = BLACK, DB = DARK BRONZE, GR = GRAY



POLES INCLUDE
2.38" OD X 4" LG TENON ON THE TOP

POLES ARE CUSTOM MADE TO ORDER AND ARE NOT RETURNABLE

Light Efficient Design

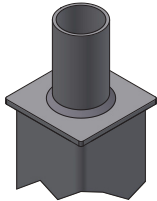
HEADQUARTERS & TRAINING CENTER • Cary, IL | INNOVATION & MANUFACTURING CENTER • Middleton, MA
847.380.3540 • solera-solar.com • sales@led-llc.com



SOLAR POLE OFFERING - TAPERED STEEL ANCHOR BASE

PART #	MOUNTING HT	MAX EPA				SHAFT DIAMETER		WALL THICKNESS	ANCHOR BOLT DIA	BASE PLATE SQ	BASE PLATE HT
		(80)	(90)	(100)	(120)	BASE	TOP				
SQUARE											
SL-STP-20-5211-AB-T2-XX	20'	14.4	11.6	9.4	6.6	5.25"	3.25"	11 GA	1" X 40"	11"	1"
SL-STP-25-6211-AB-T2-XX	25'	13.1	10.6	8.5	6.0	6.25"	3.75"			12"	
SL-STP-30-6211-AB-T2-XX	30'	8.9	7.2	5.8	4.0	6.25"	3.25"				
ROUND											
SL-RTS-20-6511-AB-T2-XX	20'	28.6	23.2	18.7	13.0	6.25"	3.7"	11 GA	1" X 40"	11"	1"
SL-RTS-25-7011-AB-T2-XX	25'	22.0	17.8	14.4	10.0	7"	3.5"			12"	
SL-RTS-30-8011-AB-T2-XX	30'	22.1	17.9	14.5	10.0	8"	3.8"				
SL-RTS-35-8511-AB-T2-XX	35'	19.3	15.6	12.6	9.0	8.5"	3.6"				

XX = FINISH COLOR, BK = BLACK, DB = DARK BRONZE, GR = GRAY



POLES INCLUDE
2.38" OD X 4" LG TENON ON THE TOP

POLES ARE CUSTOM MADE TO ORDER AND ARE NOT RETURNABLE

Light Efficient Design

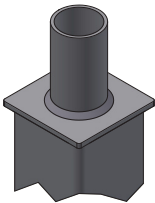
HEADQUARTERS & TRAINING CENTER • Cary, IL | INNOVATION & MANUFACTURING CENTER • Middleton, MA
847.380.3540 • solera-solar.com • sales@led-llc.com



SOLAR POLE OFFERING - STRAIGHT STEEL DIRECT BURIAL

PART #	MOUNTING HT	MAX EPA				SHAFT DIA	WALL THICKNESS	BURIAL DEPTH
		(80)	(90)	(100)	(120)			
SQUARE								
SL-RPSQ-10-4-11-EMB-T2-XX	10'	25.7	20.8	16.8	11.8	4"	11 GA	3'
SL-RPSQ-15-4-11-EMB-T2-XX	15'	15.1	12.3	9.8	7.0			4'
SL-RPSQ-20-5-11-EMB-T2-XX	20'	16.0	12.9	10.4	7.4	5"	7 GA	5'
SL-RPSQ-25-6-7-EMB-T2-XX	25'	27.5	22.3	18.0	12.6	6"		
ROUND								
SL-RSP-8-3-11-EMB-T2-XX	8'	11.2	8.4	6.2	3.7	6.25"	11 GA	3'
SL-RSP-14-4-11-EMB-T2-XX	14'	11.7	8.9	7.1	4.0	7"		4'
SL-RSP-20-5-7-EMB-T2-XX	20'	16.4	12.6	10.0	6.6	8"	7 GA	

XX = FINISH COLOR, BK = BLACK, DB = DARK BRONZE, GR = GRAY



POLES INCLUDE
2.38" OD X 4" LG TENON ON THE TOP

POLES ARE CUSTOM MADE TO ORDER AND ARE NOT RETURNABLE

Light Efficient Design

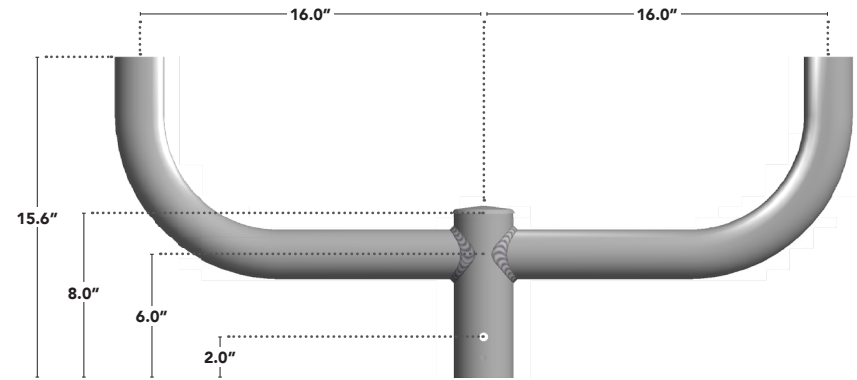
HEADQUARTERS & TRAINING CENTER • Cary, IL | INNOVATION & MANUFACTURING CENTER • Middleton, MA
847.380.3540 • solera-solar.com • sales@led-llc.com



SOLAR POLE OFFERING - POST TOP BULLHORN BRACKET

PTB pole top floodlight mounting bracket slip fit on the top of standard Solera poles. Bracket tenons are 2" pipe size. Each bracket has a maximum capacity of two Solera luminaires and is finished to match the pole.

PART #	# OF LUMINAIRES	EPA
SL-PTB-2	2	1



BRACKETS ARE CUSTOM MADE TO ORDER AND ARE NOT RETURNABLE

Light Efficient Design

HEADQUARTERS & TRAINING CENTER • Cary, IL | INNOVATION & MANUFACTURING CENTER • Middleton, MA
847.380.3540 • solera-solar.com • sales@led-llc.com