



INSTALLATION, OPERATION AND MAINTENANCE INSTRUCTIONS

SL-SWL-16L-FC-BK-G3



SOLAR WALL PACK

PRIOR TO INSTALLATION, PLEASE READ THE ENTIRE INSTALLATION INSTRUCTIONS

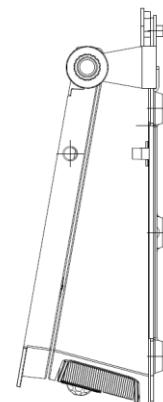
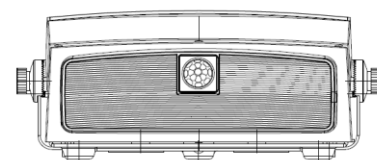
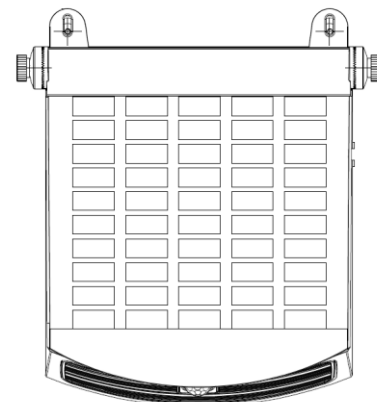
CAUTION –This manual contains important instructions that shall be followed during installation, operation and maintenance of the unit. Installation requires basic knowledge of solar lighting, if not qualified, do not attempt installation and contact qualified personnel.

CAUTION – Installations shall comply with any local rules and regulations and be performed by qualified professional.

CAUTION – This equipment is surface mounted where failure to secure properly could lead to property damage or injury.

CAUTION – Do not install where corrosive or explosive gases may be present.

CAUTION – Do not install the light fixture where it may be submerged.



PRODUCT INFORMATION

ATTRIBUTE	VALUE
MODEL	SL-SWL-16L-FC-BK-G3
LIGHT OUTPUT	UP TO 1600 LUMENS
DIMENSIONS	13" X 12" X 6" (TYPICAL INSTALLATION)
LED RATED LIFE	>50,000 HRS
BATTERY	LiFePO4 12.8V 43Wh
SOLAR PANEL	Monocrystalline
OPERATION	OPERATES IN CONSTANT OUTPUT MODE OR SENSOR MODE. CONSTANT OUTPUT – 3 LEVELS SENSOR MODE – 2 OPTIONS. MODE 1: 80% HIGH / 20% LOW MODE 2: 100% HIGH / 0% LOW
CCT	ADJUSTABLE 3000K / 4000K / 5000K
MATERIAL	MULTIPLE
CHARGING TIME	6 Hours of full sun
OPTICS	GENERAL OPTICS
INGRESS PROTECTION	IP65
WEIGHT	9 lbs
BATTERY TEMP	Charging -4°F – 140°F Discharging -40°F – 140°F



INSTALLATION, OPERATION AND MAINTENANCE INSTRUCTIONS

SL-SWL-16L-FC-BK-G3



SOLAR AREA LIGHT

SOLAR INSTALLATION NOTES

- 1) The performance of Solar Lights will depend on the Environment, Setup, Maintenance and other factors. The output may have to be adjusted to lower levels under certain conditions. Solar lights are generally not designed to operate at full power all night.
- 2) The Battery on Solar lights will deteriorate if the product is in storage for an extended period of time. Typically the battery will maintain good performance for 3-6 months after purchase. If the light is to be stored longer than 6 months, then the light will need to be recharged.
- 3) The Solar Panel on the light fixture also acts as a Photocell. If there is a light shining on the solar panel during night-time hours, the light will not operate.
- 4) Solar lights will operate under many conditions but may not operate as desired under adverse conditions. In some cases, the power output may need to be reduced during winter months.
- 5) In North America, the solar panels should be mounted facing South and inclined at a 45-degree angle. This will typically yield the best results and allow the rain to clean the Solar panels. However, if solar panels are not clean, they will not charge the system properly. For additional information, please see the Solar Best Practices Guide on the Solera Website under Resources / Marketing Materials. In rare occasions, solar panels will need to be cleaned with water and a non-abrasive cloth.
- 6) Solar lights may not be fully charged when first installed. Please allow 2-3 days of operation for the light to start operating normally.

PRE-INSTALLATION CHECKLIST

- 1) Select a location that receives plenty of direct, unobstructed sunlight. Avoid areas with shading from buildings, trees or other objects.
- 2) Select a location where artificial light does not shine on the solar panel at night.
- 3) Confirm that the selected surface and fasteners will support the light and solar panel.



OFF-GRID

SOLAR AREA LIGHT

CONTENTS

The SL-SWL-16L-FC-BK-G3 carton contains the following items:

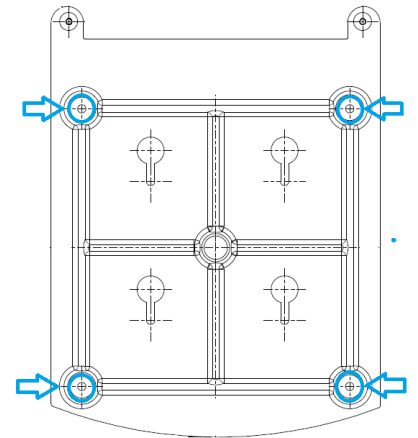
- * Installation Instructions
- 1 pc Solar Wall Pack
- 1 pc Extension Cable
- 4 pcs Wall Anchors

TOOLS AND MATERIALS NEEDED

- #2 Philips Screwdriver
- Drill and Driver to install mounting screws or anchors





INSTALLATION INSTRUCTIONS

- 1) Remove the 2 screws shown on the diagram to the right
- 2) Remove the back-plate and place it where the wall pack will be mounted
- 3) Mark the 4 mounting points on the wall. See diagram on the right
- 4) Pre-drill the mounting surface for the selected fasteners
- 5) Mount the back-plate to the wall securely with the selected fasteners
- 6) Align the wall pack with the 4 keyhole screws and slide it down ensuring that all 4 screws are securing the wall pack to the back plate are engaged. The 4 screws may be tightened or loosened to allow for easier installation with a small amount of play.
- 7) If mounting the solar panel onboard the wall pack, then slide it over the wall pack so that the solar panel bracket is between the wall pack and the back-plate. If not, see Remote Panel Mounting on page 5
- 8) Ensure that the 2 holes on the solar panel bracket are aligned with the holes on the back plate and wall pack
- 9) Re-install the 2 screws from step 1
- 10) Adjust the solar panel angle by loosening the 2 knobs at the solar panel pivot point. Tilt the solar panel to the desired angle and then tighten the knobs



OPERATING INSTRUCTIONS

- 1) Press and hold the power button for 5 seconds to turn on the light
- 2) Choose the operating mode – either constant output or sensor mode
 - 1) constant mode (low, medium or high)
 - 2) Sensor mode (80%high / 20% low or 100% high / 0% low)
- 3) Select CCT by pressing the CCT button

	POWER - PRESS AND HOLD FOR 5 SECONDS TO TURN ON OR OFF
	CONSTANT - PRESS TO SELECT CONSTANT OUTPUT MODE. PRESS AGAIN TO TOGGLE BETWEEN LOW, MEDIUM AND HIGH OUTPUT.
	SENSOR - PRESS TO SELECT SENSOR MODE. PRESS AGAIN TO TOGGLE BETWEEN LOW AND HIGH MODES.
	CCT - PRESS TO SELECT 3000K, 4000K OR 5000K OUTPUT.

NOTES:

- 1) If adverse conditions are present, then it may be necessary to select a lower power output for constant mode, or switch to sensor mode.
2. On constant mode, the lamp may dim if the battery level is low

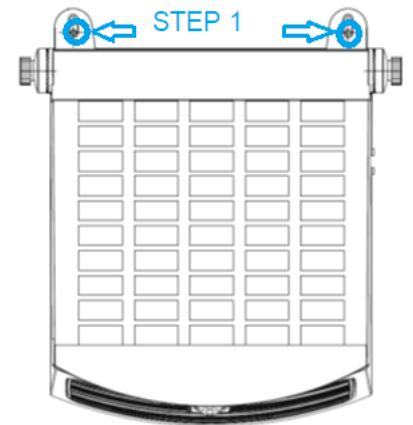


INSTALLATION, OPERATION AND MAINTENANCE INSTRUCTIONS

SL-SWL-16L-FC-BK-G3



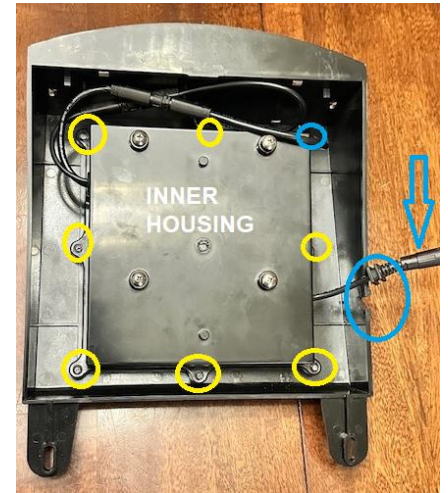
SOLAR AREA LIGHT



BATTERY REPLACEMENT

Replacement Battery is available under part number SL-SWL-16L-BATTERY

- 1) Remove the 2 screws that secure the wall pack to the back plate. See drawing on the right.
- 2) Dis-connect the cable connecting to the solar panel (Blue Arrow)
- 3) If applicable, remove solar panel
- 4) Slide wall pack off of back-plate and place upside down
- 5) Slide solar panel cable out of notch in outer wall (Blue Circle)
- 6) Remove 8 small screws at the base of the inner housing (Yellow Circle)
- 7) Gently and carefully remove the inner housing taking care not to pull wires
- 8) Disconnect battery connector from control board
- 9) Remove 2 screws from battery retainer
- 10) Remove and replace battery, reinstall battery retainer and plug in battery
- 11) Replace inner housing and re-install 8 screws
- 12) Reinstall solar panel cable into notch on outer housing
- 13) Reinstall wall pack onto back-plate
- 14) If applicable, reinstall solar panel
- 15) Re-install 2 screws to secure wall pack to back plate.
 - 1) If installing solar panel, the solar panel bracket goes in-between the wall-pack and back-plate
- 16) Re-connect solar panel cable
- 17) Ensure that wall back is turned on and set to the desired mode



MAINTENANCE INSTRUCTIONS

The maintenance interval will depend on the environment and site-specific factors. The lights and mounting hardware should be checked and cleaned at least once per year.

- 1) The solar panel should be cleaned of dust and debris using water and a non-abrasive cloth.
- 2) Check the mounting screws to ensure they are properly installed and tight.
- 3) Visually confirm that the solar panel is unobstructed and that no artificial light will shine on the solar panels.



INSTALLATION, OPERATION AND MAINTENANCE INSTRUCTIONS

SL-SWL-16L-FC-BK-G3



SOLAR AREA LIGHT

REMOTE PANEL MOUNTING

The solar panel on the SL-SWL-16L-FC-BK-G3 can be remote mounted. Remote mounting is recommended when the solar panel is not in a location that gets strong sunlight. If it is shaded or exposed to artificial light, then remote mounting the solar panel could improve the performance of the system.

- 1) Remove the 2 screws (see page 4, step 1)
- 2) Disconnect the solar panel wire
- 3) Slide the solar panel off the wall pack assembly
- 4) Re-install the 2 screws from step 1
- 5) Install the extension cable to the wall pack and solar panel.