

PIN-BASE
RETROFITS



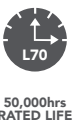
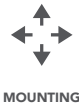
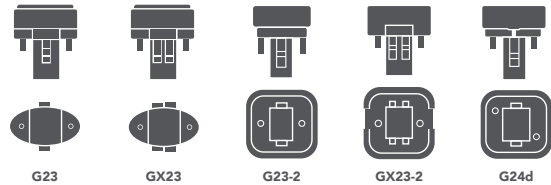
TYPE A/B 2-PIN PL LAMPS



insect & DUST
RESISTANT →

- 5W & 7W replaces up to 26W CFL lamps.
- Available in 2700K, 3500K, 4000K & 5000K color temperatures.
- Up to 930 lumen output.
- Suitable for damp environments.
- Can be used in semi-enclosed recessed fixtures.

→ 2-PIN COMPATIBLE BASES



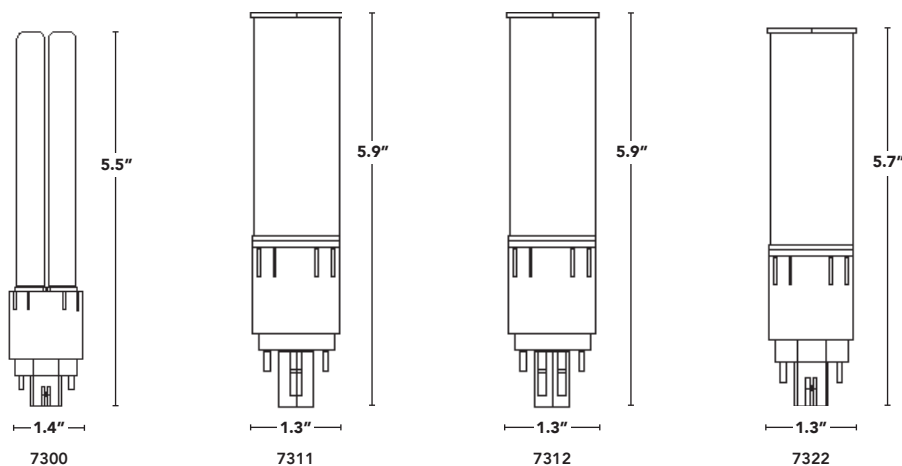
| PART # | UPC | REPLACES | WATTAGE | LUMENS | COLOR* | BASE |
|-----------------|--------------|-----------|---------|--------|--------|--------|
| LED-7300-40K-G2 | 844006073640 | 9W 2 Pin | 5W | 550 | 4000K | GX23 |
| LED-7311-40K-G3 | 844006060190 | 13W 2 Pin | 7W | 910 | 4000K | G23-2 |
| LED-7312-40K-G3 | 844006060220 | 13W 2 Pin | 7W | 880 | 4000K | GX23-2 |
| LED-7322-40K-G3 | 844006060251 | 26W 2 Pin | 7W | 900 | 4000K | G24d |

* additional color temperatures shown on page 2





TYPE A/B 2-PIN PL LAMPS



| PART # | UPC | REPLACES | WATTAGE | LUMENS | COLOR | BASE |
|-----------------|--------------|-----------|---------|--------|-------|--------|
| LED-7300-27K-G2 | 844006073657 | 9W 2 Pin | 5W | 550 | 2700K | GX23 |
| LED-7300-35K-G2 | 844006073633 | 9W 2 Pin | 5W | 550 | 3500K | GX23 |
| LED-7300-40K-G2 | 844006073640 | 9W 2 Pin | 5W | 550 | 4000K | GX23 |
| LED-7300-50K-G2 | 844006061067 | 9W 2 Pin | 5W | 550 | 5000K | GX23 |
| LED-7311-27K-G3 | 844006060176 | 13W 2 Pin | 7W | 840 | 2700K | G23-2 |
| LED-7311-35K-G3 | 844006060183 | 13W 2 Pin | 7W | 880 | 3500K | G23-2 |
| LED-7311-40K-G3 | 844006060190 | 13W 2 Pin | 7W | 910 | 4000K | G23-2 |
| LED-7311-50K-G3 | 844006061074 | 13W 2 Pin | 7W | 920 | 5000K | G23-2 |
| LED-7312-27K-G3 | 844006060206 | 13W 2 Pin | 7W | 820 | 2700K | GX23-2 |
| LED-7312-35K-G3 | 844006060213 | 13W 2 Pin | 7W | 870 | 3500K | GX23-2 |
| LED-7312-40K-G3 | 844006060220 | 13W 2 Pin | 7W | 880 | 4000K | GX23-2 |
| LED-7312-50K-G3 | 844006061081 | 13W 2 Pin | 7W | 910 | 5000K | GX23-2 |
| LED-7322-27K-G3 | 844006060237 | 26W 2 Pin | 7W | 820 | 2700K | G24d |
| LED-7322-35K-G3 | 844006060244 | 26W 2 Pin | 7W | 870 | 3500K | G24d |
| LED-7322-40K-G3 | 844006060251 | 26W 2 Pin | 7W | 900 | 4000K | G24d |
| LED-7322-50K-G3 | 844006061098 | 26W 2 Pin | 7W | 930 | 5000K | G24d |