



# Light Efficient Design

PIN-BASE  
RETROFITS



## PL RETROFITS



omni-  
directional ->  
lamp

- > Compatible with G24d (2-pin) & G24q (4-pin) sockets.
- > Available in 2700K, 3500K, 4000K & 5000K color temperatures.
- > Compact size allows it to fit in more applications.
- > For use in recessed & semi-enclosed fixtures only.
- > Not for use in enclosed fixtures.



120/  
277V

ALSO WORKS  
ON 208V & 240V



INSTALL  
METHOD



BASE TYPE



MOUNTING



BEAM ANGLE



CRI



-40°F TO 104°F

OPERATING  
TEMP



50,000hrs  
RATED LIFE

PART #	UPC	REPLACES	WATTAGE	LUMENS	COLOR (K)	BASE
LED-7310-27K-G3	844006055615	Up to 32W CFL	7W	890	2700K	G24d/G24q
LED-7310-35K-G3	844006055639	Up to 32W CFL	7W	949	3500K	G24d/G24q
LED-7310-40K-G3	844006055646	Up to 32W CFL	7W	970	4000K	G24d/G24q
LED-7310-50K-G3	844006055653	Up to 32W CFL	7W	990	5000K	G24d/G24q



LIGHT EFFICIENT DESIGN HEADQUARTERS 188 S. Northwest Highway • Cary, IL 60013  
 INNOVATION & MANUFACTURING CENTER 30 Log Bridge Road, Building 200 • Middleton, MA 01949  
 847.380.3540 • led-llc.com

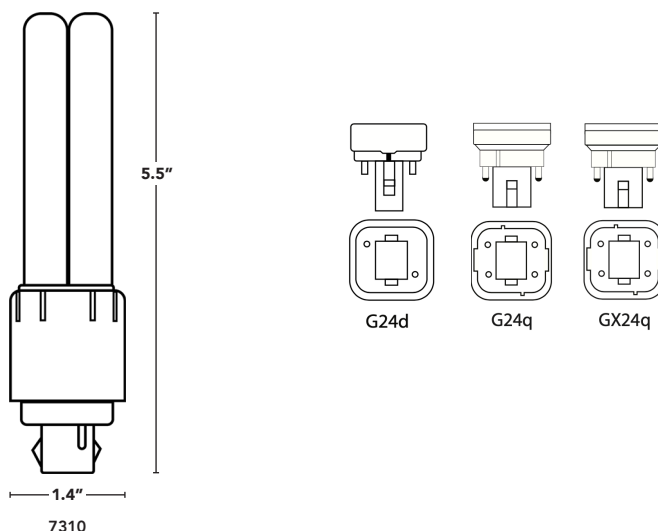
02.11.22 Information is subject to change without notice.



# Light Efficient Design



# TYPE A/B 2-PIN PL LAMPS



PART #	UPC	REPLACES	WATTAGE	LUMENS	COLOR (K)	BASE
LED-7310-27K-G3	844006055615	Up to 32W CFL	7W	890	2700K	G24d/G24q
LED-7310-35K-G3	844006055639	Up to 32W CFL	7W	949	3500K	G24d/G24q
LED-7310-40K-G3	844006055646	Up to 32W CFL	7W	970	4000K	G24d/G24q
LED-7310-50K-G3	844006055653	Up to 32W CFL	7W	990	5000K	G24d/G24q

🇨🇦 347 VOLT OPTIONS FOR CANADA 🇨🇦

PART #	UPC	REPLACES	WATTAGE	LUMENS	COLOR (K)	BASE
LED-7310-27C-G3	844006055660	Up to 32W CFL	7W	890	2700K	G24d/G24q
LED-7310-35C-G3	844006055677	Up to 32W CFL	7W	949	3500K	G24d/G24q
LED-7310-40C-G3	844006055684	Up to 32W CFL	7W	970	4000K	G24d/G24q