

PIN-BASE  
RETROFITS



## PL 4 PIN TYPE A/B UNIVERSAL

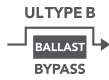


- > Replace CFL lamps with reliable, long-lasting, energy efficient LED.
- > Universal products operate on 120-277V or a compatible ballast.
- > 10W, 11W & 12W replaces up to 42W CFL lamps.
- > Up to 1600 lumen output.
- > Suitable for damp environments & semi-enclosed recessed fixtures (not for use in enclosed fixtures).
- > Rotating base on LED-7324 allows for optimal light output.

rotating base ↓



ALSO WORKS ON 208V & 240V



INSTALL METHOD



INSTALL METHOD



BASE TYPE



MOUNTING



CRI



-40°F TO 104°F

OPERATING TEMP



50,000hrs RATED LIFE

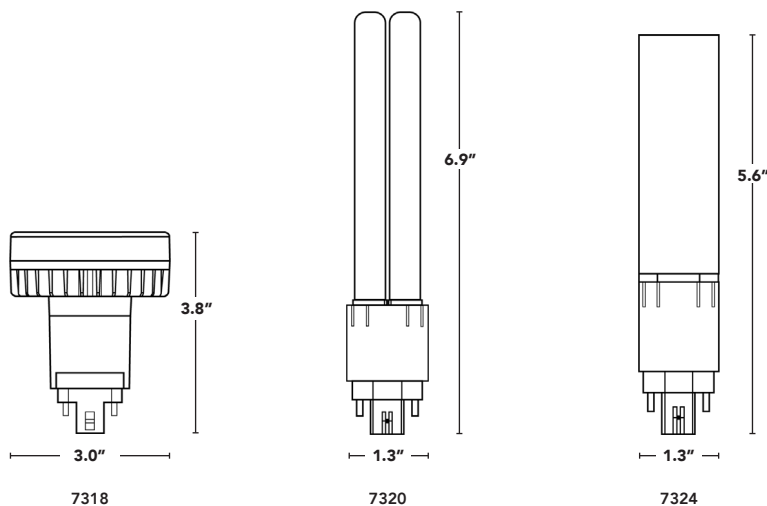
PART #	UPC	REPLACES	WATTAGE	LUMENS	COLOR (K)	BASE
LED-7318-40A	844006073527	26W 4 Pin CFL	12W	1198	4000K	G/GX24q
LED-7320-40K-G3	844006024734	42W 4 Pin CFL	10W	1600	4000K	G/GX24q
LED-7324-40K-G3	844006024689	42W 4 Pin CFL	11W	1200	4000K	G/GX24q

\* see page 3 for ballast compatibility





# PL 4 PIN TYPE A/B UNIVERSAL



PART #	UPC	REPLACES	WATTAGE	LUMENS	COLOR (K)	BASE
LED-7318-27A	844006073503	26W 4 Pin CFL	12W	837	2700K	G/GX24q
LED-7318-35A	844006073510	26W 4 Pin CFL	12W	1157	3500K	G/GX24q
LED-7318-40A	844006073527	26W 4 Pin CFL	12W	1198	4000K	G/GX24q
LED-7320-27K-G3	844006024703	42W 4 Pin CFL	10W	1350	2700K	G/GX24q
LED-7320-35K-G3	844006024727	42W 4 Pin CFL	10W	1550	3500K	G/GX24q
LED-7320-40K-G3	844006024734	42W 4 Pin CFL	10W	1600	4000K	G/GX24q
LED-7320-50K-G3	844006024741	42W 4 Pin CFL	10W	1635	5000K	G/GX24q
LED-7324-27K-G3	844006024758	42W 4 Pin CFL	11W	1050	2700K	G/GX24q
LED-7324-35K-G3	844006024772	42W 4 Pin CFL	11W	1125	3500K	G/GX24q
LED-7324-40K-G3	844006024689	42W 4 Pin CFL	11W	1200	4000K	G/GX24q
LED-7324-50K-G3	844006024796	42W 4 Pin CFL	11W	1200	5000K	G/GX24q

### ADDITIONAL NOTES

This lamp is not compatible with all electronic ballasts. If the ballast is not listed as compatible, then bypass the ballast and run on 120-277VAC Line Volatage.

Instructions available on [led-llc.com](http://led-llc.com).

Do not use in fully enclosed fixtures.

Non-Dimmable.

For dimming applications, LED-7330 or 7334 may work better.



# PL 4 PIN TYPE A/B UNIVERSAL

## LED-7318 BALLST COMPATIBILITY LIST

COMPATIBLE BALLASTS	1 LAMP		2 LAMP		
	120V	277V	120V	277V	
PHILIPS / ADVANCE	2S13-H1-LD	✓	✓	✓	✓
	2S18-H1-LD	✓	✓	✓	✓
	2S26-H1-LD	✓	✓	✓	✓
	2S42-M2-LD	✓	x	✓	✓
UNIVERSAL / TRIAD	C213UNVME	✓	✓	✓	✓
	C218UNVME	✓	✓	✓	✓
	C2642UNVME	✓	✓	✓	✓
	C242UNVME	✓	x	✓	x
OSRAM / SLYVANIA	QTP1/2X18CF/UN DM	✓	✓	✓	✓
	QTP 2X26CF/UNV DM	✓	✓	✓	✓

## LED-7320-G3 LED-7324-G3 BALLST COMPATIBILITY LIST

COMPATIBLE BALLASTS	1 LAMP		2 LAMP		
	120V	277V	120V	277V	
PHILIPS / ADVANCE	2S13-H1-LD	✓	✓	✓	✓
	2S18-H1-LD	✓	✓	✓	✓
	2S26-H1-LD	✓	✓	✓	✓
	2S42-M2-LD	✓	x	✓	✓
UNIVERSAL / TRIAD	C213UNVME	✓	✓	✓	✓
	C218UNVME	✓	✓	✓	✓
	C2642UNVME	✓	✓	✓	✓
	C242UNVME	✓	x	✓	x
OSRAM / SLYVANIA	QTP1/2X18CF/UN DM	✓	✓	✓	✓
	QTP 2X26CF/UNV DM	✓	✓	✓	✓
KEYSTONE	KTEB-226-UV-TP-PIC-DW	✓	✓	✓	✓