

SCREW-IN  
RETROFITS



## A21/23 HIGH OUTPUT



safe for use →  
in enclosed  
fixtures

- Frosted design to reduce glare.
- 360° light output for optimal performance.
- Available in 3000K, 4000K & 5000K
- Pretested & potted drivers are burnt in 3x prior to shipping and protected against vibration & moisture.
- Engineered to work efficiently in enclosed fixtures & damp environments.
- Protected against insects & dust.
- 8017-G2 dimmable model available.

									
	ALSO WORKS ON 208V & 240V	INSTALL METHOD	MEDIUM + MOGUL BASE	VERTICAL MOUNTING	CRI	OPERATING TEMP	ENCLOSED FIXTURES	50,000hrs RATED LIFE	INGRESS PROTECTION

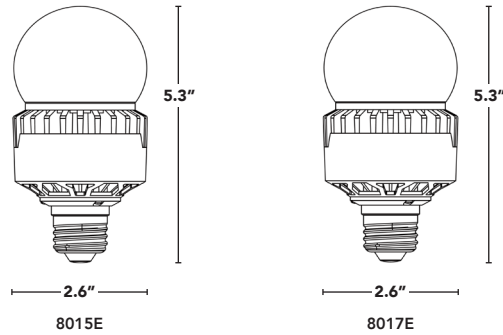
PART #	UPC	REPLACES	WATTAGE	LUMENS	COLOR (K)*	BASE
LED-8015E50-G2	844006035983	70W	14W	1960	5000K	E26
LED-8017E50-G2-DIM	844006052232	100W	20W	2660	5000K	E26

\* additional color temperatures shown on page 2





# A21/23 HIGH OUTPUT



PART #	UPC	REPLACES (INC)	REPLACES (HID)	WATTAGE	LUMENS	CCT	BASE	ENERGY STAR	DLC CODES
LED-8015E30-G2	844006035969	100W	70W	14W	1792	3000K	E26	✓	N/A
LED-8015E40-G2	844006035976	100W	70W	14W	1918	4000K	E26	✓	N/A
LED-8015E50-G2	844006035983	100W	70W	14W	1960	5000K	E26	✓	N/A
LED-8017E30-G2-DIM	844006052218	150W	100W	20W	2620	3000K	E26	✓	N/A
LED-8017E40-G2-DIM	844006052225	150W	100W	20W	2720	4000K	E26	✓	N/A
LED-8017E50-G2-DIM	844006052232	150W	150W	20W	2740	5000K	E26	✓	N/A