



Light Efficient Design

SCREW-IN
RETROFITS



POST TOP RETROFITS

- Advanced Active Cooling. Energetic cooling fan & dynamic temp control supports a longer, brighter life.
- Multi-directional mounting capability & 360° design. Use base down, base up or base sideways without affecting performance.
- Pretested & potted drivers are burnt in 3x prior to shipping and protected against vibration & moisture.
- Expertly engineered to work efficiently in enclosed fixtures & damp environments, while also protected against insects & dust.
- Dual stage MOV protection with integrated 6kA surge.
- USA designed & specified LED driver.
- Dim to 50% by selecting "LO" on the switch located on the side of the lamp. (Stepped dimming with other wired control communication by the onboard switch)



← top LED's

LED
8033E



ALSO WORKS
ON 208V & 240V



INSTALL
METHOD



MEDIUM +
MOGUL BASE



ACTIVE
COOLING



CRI



OPERATING
TEMP



50,000hrs
RATED LIFE



SURGE
PROTECTION

PART #	UPC	REPLACES	WATTAGE	LUMENS	COLOR (K)*	BASE
LED-8033E50D-G7	844006077181	175W HID	35W	5360	5000K	E26
LED-8033M50D-G7	844006077242	175W HID	35W	5360	5000K	EX39

* additional color temperatures shown on page 2

** 347 volt options for Canada shown on page 2



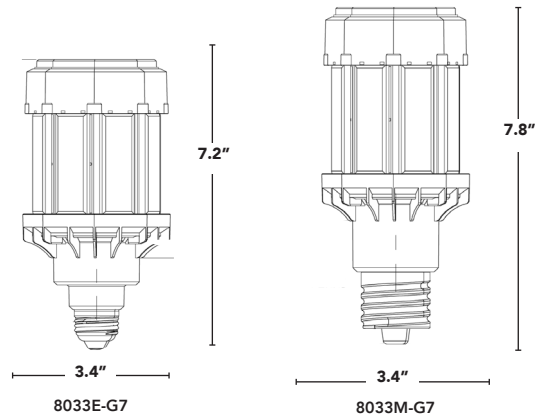
LIGHT EFFICIENT DESIGN HEADQUARTERS 188 S. Northwest Highway • Cary, IL 60013
INNOVATION & MANUFACTURING CENTER 30 Log Bridge Road, Building 200 • Middleton, MA 01949
847.380.3540 • led-llc.com

01.09.24 Information is subject to change without notice.





POST TOP RETROFITS



PART #	UPC	REPLACES	WATTAGE	LUMENS	COLOR (K)	BASE	DLC CODE
LED-8033E30D-G7	844006077143	175W HID	35W	5140	3000K	E26	N/A
LED-8033E40D-G7	844006077167	175W HID	35W	5290	4000K	E26	N/A
LED-8033E50D-G7	844006077181	175W HID	35W	5360	5000K	E26	N/A
LED-8033M30D-G7	844006077204	175W HID	35W	5140	3000K	EX39	PB9HY8NY
LED-8033M40D-G7	844006077228	175W HID	35W	5290	4000K	EX39	P8VK9R0E
LED-8033M50D-G7	844006077242	175W HID	35W	5360	5000K	EX39	P1ZUAA4

🇨🇦 347 VOLT OPTIONS FOR CANADA 🇨🇦

PART #	UPC	REPLACES	WATTAGE	LUMENS	COLOR (K)	BASE	DLC CODE
LED-8033E30CD-G7	844006077136	175W HID	35W	5140	3000K	E26	N/A
LED-8033E40CD-G7	844006077150	175W HID	35W	5290	4000K	E26	N/A
LED-8033E50CD-G7	844006077174	175W HID	35W	5360	5000K	E26	N/A
LED-8033M30CD-G7	844006077198	175W HID	35W	5140	3000K	EX39	PVCBZ2P5
LED-8033M40CD-G7	844006077211	175W HID	35W	5290	4000K	EX39	PQ5GE9SX
LED-8033M50CD-G7	844006077235	175W HID	35W	5360	5000K	EX39	PXN62VJZ