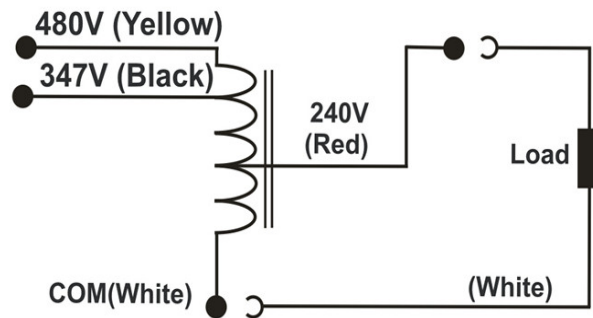
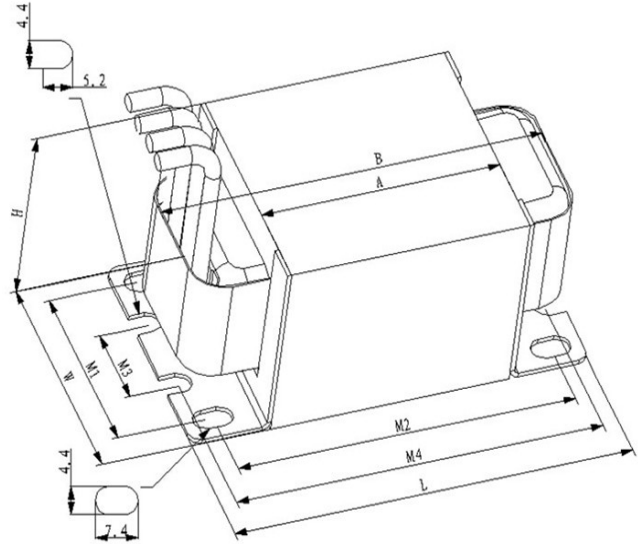




cUL[®] US RoHS ISO9001

Model No.	MTM04506224C-LW
Product Type	Step-down Transformer
Rating (VA)	450
Vin Vout	480/347VAC 240VAC
Frequency	60 Hz
Status	Production

Input Voltage (V)		480/347	
Max Input Circuit (A)		1.00/1.38	
Max Output Circuit (A)		1.87	
Max. Load(VA)		450	
Output Voltage (V)		240	
Full Load	EFF. (%)	93/94	
	THD (%)	3.4/3.8	
	Power Factor	0.991/0.991	
UL Class H 180 Temp. Code		A	
Dimension (inches/mm)	Basic dimensions	A*	2.95±0.04/75±1
		B(Max)	4.25/108
		W	2.64±0.04/67±1
		H	2.20±0.04/56±1
	Installation dimensions	M1	2.27/57.6
		M2	3.69±0.04/93.6±2
		M3	0.96/24.4
		M4	3.90±0.04/99±2
		L	4.13±0.04/105±2
		Max Net Weight (lbs)	
Max Net Weight + LW (lbs)		4.69	
Lead Length (inches)		8±0.5	



A* not covered the thickness of the two holders

*Lead Type: (AVLV2, AVLV8), Type 3135, No. 18 AWG (or Equivalent), rated 200°C, 600 V. Strip 10mm Tin Plated. **347V lead wire is pre-insulated.**

Document No.:	PS_MTM_VA0450_62-24_C_M03
Date:	2017-02-08 (yyyy-mm-dd)

Product Standards: UL 5085-1, UL 5085-2
UL CCN: XPTQ2, XPTQ8