

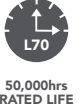


**FLEXCOLOR &  
FLEXWATT SWITCH  
ON EACH UNIT**

- Daisy-chain multiple fixtures together.
- OCC option comes w/ an integrated microwave sensor.
- Two installation options: suspended & surface mounted.
- Link up to 10 units together @ 120VAC or 24 units @ 277VAC. (figures are based on kits offered by Light Efficient Design, linking qty's may vary)
- SUPERflex allows for a reduction in stocked skus.
- Great for schools, hospitals, grocery stores, offices & warehouses.
- Rated for damp environments.

**SUPERflex** SWITCH BETWEEN  
3 WATTS & 3 COLOR TEMPS

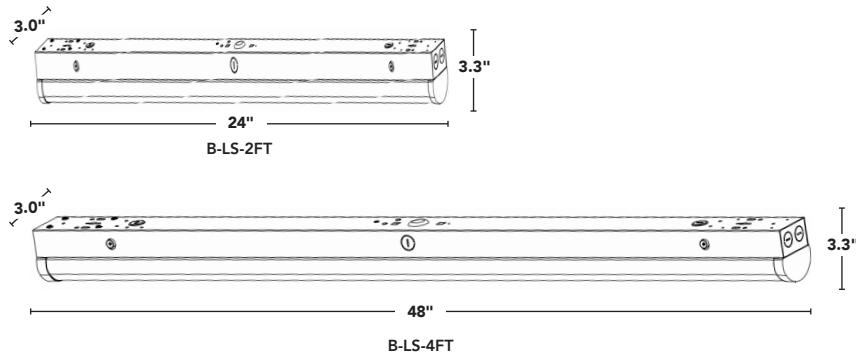
**flexCONTROL** ORDER W/ ADVANCED BLUETOOTH.  
BASIC OR NO CONTROLS



PART #	UPC	DESCRIPTION	LUMENS	FLEXWATT	FLEXCOLOR
RP-B-LS-G2-2FT-25W-40K-WC	844006087746	2FT LINEAR STRIP WITH WATTAGE & CCT SELECT	1950-3250	15W/20W/ <b>25W</b>	3000K/ <b>4000K</b> /5000K
RP-B-LS-G2-4FT-30W-40K-WC	844006089160	4FT LINEAR STRIP WITH WATTAGE & CCT SELECT	3250-5200	20W/ <b>30W</b> /40W	3000K/ <b>4000K</b> /5000K

LUMENS/WATTAGES/COLOR TEMPS IN BOLD ARE DEFAULT SETTING





### PART NUMBER BUILDER

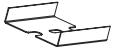
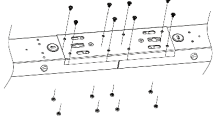
MFR	PRODUCT	LENGTH (FT)	WATTAGE	COLOR	FUNCTION	SENSOR	EMG
RP	B-LS				WC		
		2F	15W (2ft) 20W (4ft)	30K = 3000K	WC = WATTAGE + COLOR SELECTABLE	OCC = MIC MOTION SENSOR	EMG = EMG BATTERY BACKUP
		4F	20W (2ft) 30W (4ft)	40K = 4000K		OCCRF = MIC GROUPABLE MOTION SENSOR	
			25W (2ft) 40W (4ft)	50K = 5000K		OCBT = MIC MOTION SENSOR BT = BLUETOOTH LOW ENERGY CONTROL NODE	
<b>EXAMPLE PART NUMBER</b>							
RP-B-LS-G2-4FT-30W-40K-WC							

### CONTROL OPTIONS (INTERNAL)

-OCC	-OCCRF	-OCBT	-BT
<p>STANDARD MICROWAVE MOTION SENSOR IR12 REMOTE</p>	<p>SIMPLE GROUPING MICROWAVE GROUPABLE MOTION SENSOR IR13 REMOTE</p>	<p>MICROWAVE MOTION SENSOR W/ LOW ENERGY NETWORK LIGHTING CONTROL IR12 REMOTE &amp; SILVAIR APP</p>	<p>LOW ENERGY NETWORK CONTROL NODE SILVAIR APP</p>



ACCESSORIES

PART #	UPC	DESCRIPTION	
<b>CONTINUOUS RUN SURFACE/CEILING MOUNTING KIT</b>			
RP-B-LS-G2-CR-SM	844006091088	USE TO CREATE STRONG AND STRAIGHT JUNCTIONS BETWEEN TWO SURFACE/CEILING MOUNTED FIXTURES. <b>INCLUDES</b> IN-LINE BRACKET, AC WIRING, WIRE NUTS	
<b>CONTINUOUS RUN SUSPENSION MOUNTING KIT</b>			
RP-B-LS-G2-CR-SPND	844006061463	USE TO CREATE STRONG AND STRAIGHT JUNCTIONS BETWEEN TWO SUSPENDED FIXTURES. <b>INCLUDES</b> 4FT AIRCRAFT CABLE (2X), CEILING ANCHORS, IN-LINE BRACKET, AC WIRING, WIRE NUTS.	
<b>SINGLE FIXTURE SUSPENSION KIT</b>			
RP-B-LS-G2-SUSPENDED KIT-SINGLE-2FT/4FT	844006061418	USE TO SUSPEND ONE FIXTURE FROM THE CEILING. <b>INCLUDES</b> 4FT AIRCRAFT CABLE (2X), CEILING ANCHORS.	