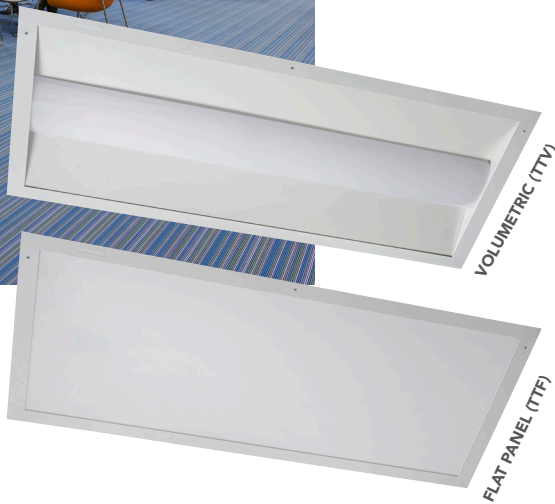




PART #	
JOB NAME	
TYPE	



- Install as a retrofit kit or as a new fixture.
- 3 sizes to choose from 2x2, 2x4, 1x4.
- Door style retrofit kit with just one piece, creating a seamless, no air gap look.
- Choose from a volumetric or a flat panel design.
- Sensor Ready (SR) for Occupancy and Network Lighting Controls (NLC) – see pages 9-16 for more information.



**SUPERflex** SWITCH BETWEEN 4 WATTS & 3 COLOR TEMPS

**flexCONTROL** MULTIPLE CONTROL OPTIONS AVAILABLE



WATCH HOW EASY IT IS TO INSTALL THE TROFFER TRANSFORMER!



ALSO WORKS ON 208V & 240V



DIMMING



CRI



OPTIONAL EMG BATTERY BACKUP



BEAM ANGLE



-4°F TO 122°F OPERATING TEMP



SURGE PROTECTION



100,000hrs RATED LIFE

PART #	UPC	REPLACES	WATTAGE	LUMENS	COLOR
RP-TTV-G1-2X2-20L-840-FWFC-SR	197810004530	N/A	16/20/24/28	2032	3500K/4000K/5000K
RP-TTV-G1-1X4-25L-840-FWFC-SR	197810004547	N/A	16/20/24/28	2480	3500K/4000K/5000K
RP-TTV-G1-2X4-33L-840-FWFC-SR	197810004554	N/A	20/26/34/40	3390	3500K/4000K/5000K
RP-TTF-G1-2X2-20L-840-FWFC-SR	197810004561	N/A	16/20/24/28	2032	3500K/4000K/5000K
RP-TTF-G1-1X4-25L-840-FWFC-SR	197810004578	N/A	16/20/24/28	2480	3500K/4000K/5000K
RP-TTF-G1-2X4-33L-840-FWFC-SR	197810004585	N/A	20/26/34/40	3390	3500K/4000K/5000K

Must order case quantity of 4





TROFFER FEATURES	OUR DESIGN	EVERYONE ELSE
BRACKET DESIGN	SINGLE PIECE	MULTIPLE BRACKET PIECES
UNIVERSAL TROFFER FIT	FITS EVERY SINGLE TROFFER	FITS SOME, DOESN'T FIT OTHERS
TRIM THAT COVERS UP AIR GAP AROUND FRAME	YES	NO / UGLY AIR GAP DEPENDING ON THE FIXTURE TYPE
FAST 3-MIN INSTALL	YES	NO / 5-15 MIN OR MORE
DESIGN	FLAT PANEL & VOLUMETRIC DESIGN AVAILABLE	OFFERS ONLY ONE DESIGN STYLE
ADJUSTABLE WATTAGE OR COLOR ALL-IN-ONE	YES / FLEXWATT + FLEXCOLOR	MAYBE
CAN BE INSTALLED EITHER AS A RETROFIT OR A NEW FIXTURE	YES / CAN BE USED AS EITHER	NO / PURCHASE DOOR RETROFIT KIT OR NEW FIXTURE

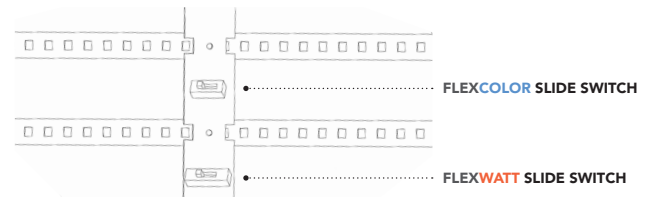
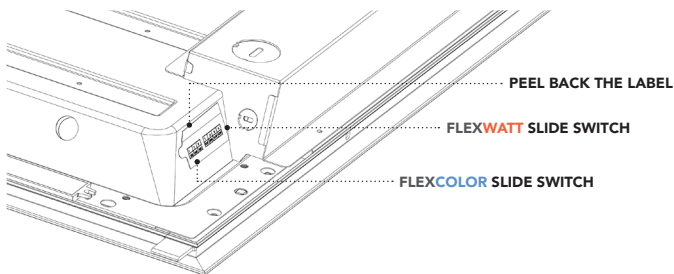
### SETTING THE WATTAGE AND CCT W/ FLEXWATT + FLEXCOLOR

FLEXWATT SLIDE SWITCH POSITION				
SIZE	0	1	2	3
2X2	16W (2000-2032LM)	20W (2500-2540LM)	24W (3072-3120LM)	28W (3584-3640LM)
1X4	16W (1968-2000LM)	20W (2460-2500LM)	24W (3000-3100LM)	28W (3500-3556LM)
2X4	20W (2540-2600LM)	26W (3350-3400LM)	34W (4390-4450LM)	40W (5160-5300LM)

FLEXCOLOR SLIDE SWITCH POSITION			
SIZE	TOP	MIDDLE	BOTTOM
2X2	3500K	4000K	5000K
1X4			
2X4			

TTF

TTV



### FLEXCONTROL

FIXTURE COMES WITH 10V DIMMING — DIM-TO-OFF DRIVER W/ 12V DC AUX POWER



USE W/ BASIC PIR FIXTURE LEVEL CONTROL OR ADVANCED BLUETOOTH MESH SENSOR CONTROL SYSTEM



### PART NUMBER BUILDER

MFR	PRODUCT	GEN	SIZE	LUMENS	COLOR	FUNCTION	OPTIONS
RP	TTV	G1				FWFC	SR*
			2x2	20L (16W) 25L (20W) 31L (24W) 36L (28W)	835 = 3500K/85CRI	FWFC = WATTAGE + COLOR SELECTABLE	OCC = PIR OCCUPANCY SENSOR OCCRF = SIMPLE WIRELESS GROUPING SENSOR BT = LOW ENERGY NETWORK (NODE) ⓘ OCCBT = LOW ENERGY NETWORK (PIR OCCUPANCY SENSOR) ⓘ EMG = EMERGENCY BATTERY BACKUP 90 MIN / 500 LM AIR = AIR RETURN
			1x4		840 = 4000K/85CRI		
			2x4	25L (20W) 33L (26W) 43L (34W) 53L (40W)	850 = 5000K/85CRI		

**EXAMPLE PART NUMBER** RP-TTV-G1-2X2-20L-840-FWFC-OCC-AIR

\*SR (SENSOR READY). REMOVE SR WHEN ORDERING W/ OCC, OCCRF, BT, OCCBT, EMG OR AIR.

### SURFACE MOUNT KIT

### FLANGE KIT

PART#	DESCRIPTION	PART#	DESCRIPTION
RPT-LEDPANEL-SMK-2X2	2X2 SURFACE MOUNT KIT	RPT-LEDPANEL-FMK-2X2-A	2X2 FLANGE KIT
RPT-LEDPANEL-SMK-1X4	1X4 SURFACE MOUNT KIT	RPT-LEDPANEL-FMK-1X4-A	1X4 FLANGE KIT
RPT-LEDPANEL-SMK-2X4	2X4 SURFACE MOUNT KIT	RPT-LEDPANEL-FMK-2X4-A	2X4 FLANGE KIT

PART #	SIZE	LUMENS	WATTAGE	COLOR	DLC CODES		
RP-TTV-G1-2X2-20L-835-FWFC-SR	2X2	2000	16	3500	PO3AXSOR		
<b>RP-TTV-G1-2X2-20L-840-FWFC-SR</b>		2032		4000			
RP-TTV-G1-2X2-20L-850-FWFC-SR		2032		5000			
RP-TTV-G1-2X2-25L-835-FWFC-SR		2X2	2500	20	3500	PPFL3XHO	
RP-TTV-G1-2X2-25L-840-FWFC-SR			2540		4000		
RP-TTV-G1-2X2-25L-850-FWFC-SR			2540		5000		
RP-TTV-G1-2X2-31L-835-FWFC-SR			3072	24	3500	PWCUHU54	
RP-TTV-G1-2X2-31L-840-FWFC-SR					3120		4000
RP-TTV-G1-2X2-31L-850-FWFC-SR					3120		5000
RP-TTV-G1-2X2-36L-835-FWFC-SR		2X2	3584	28	3500	PR7NEREO	
RP-TTV-G1-2X2-36L-840-FWFC-SR			3640		4000		
RP-TTV-G1-2X2-36L-850-FWFC-SR			3640		5000		
RP-TTV-G1-1X4-20L-835-FWFC-SR	1X4		1968	16	3500	P5037N4T	
RP-TTV-G1-1X4-20L-840-FWFC-SR			1984		4000		
RP-TTV-G1-1X4-20L-850-FWFC-SR			2000		5000		
RP-TTV-G1-1X4-25L-835-FWFC-SR		1X4	2460	20	3500	PU2SVMZT	
<b>RP-TTV-G1-1X4-25L-840-FWFC-SR</b>			2480		4000		
RP-TTV-G1-1X4-25L-850-FWFC-SR			2500		5000		
RP-TTV-G1-1X4-31L-835-FWFC-SR			3000	24	3500	PKRUN42H	
RP-TTV-G1-1X4-31L-840-FWFC-SR					3048		4000
RP-TTV-G1-1X4-31L-850-FWFC-SR					3100		5000
RP-TTV-G1-1X4-36L-835-FWFC-SR		1X4	3500	28	3500	PDPFGCTQ	
RP-TTV-G1-1X4-36L-840-FWFC-SR			3556		4000		
RP-TTV-G1-1X4-36L-850-FWFC-SR			3556		5000		
RP-TTV-G1-2X4-25L-835-FWFC-SR	2X4		2540	20	3500	PCLVX21E	
RP-TTV-G1-2X4-25L-840-FWFC-SR			2600		4000		
RP-TTV-G1-2X4-25L-850-FWFC-SR			2600		5000		
RP-TTV-G1-2X4-33L-835-FWFC-SR		3350	26	3500	PW8NFK1Q		
<b>RP-TTV-G1-2X4-33L-840-FWFC-SR</b>				3390		4000	
RP-TTV-G1-2X4-33L-850-FWFC-SR				3400		5000	
RP-TTV-G1-2X4-43L-835-FWFC-SR			4390	34	3500	PY1WJ5ZX	
RP-TTV-G1-2X4-43L-840-FWFC-SR					4450		4000
RP-TTV-G1-2X4-43L-850-FWFC-SR					4450		5000
RP-TTV-G1-2X4-53L-835-FWFC-SR		5160	40	3500	P80XVTA2		
RP-TTV-G1-2X4-53L-840-FWFC-SR				5300		4000	
RP-TTV-G1-2X4-53L-850-FWFC-SR				5300		5000	

\*FOR MORE DLC INFORMATION SEE PAGE 5.

**DEFAULT LUMEN PACKAGE (WATTAGE AND CCT) ARE SHOWN ABOVE IN BOLD.** THERE ARE TWO WAYS TO ACHIEVE A NON-DEFAULT LUMEN PACKAGE AND/OR CCT.

1. You can easily adjust in field via our FlexWATT and FlexCOLOR internal switches. 2. Have us adjust the FlexWATT and FlexCOLOR at the factory for an additional charge.

HEADQUARTERS & TRAINING CENTER • Cary, IL | INNOVATION & MANUFACTURING CENTER • Middleton, MA

847.380.3540 • led-llc.com • sales@led-llc.com

04.01.24 Information is subject to change without notice.

**Light Efficient Design**



### PART NUMBER BUILDER

MFR	PRODUCT	GEN	SIZE	LUMENS	COLOR	FUNCTION	OPTIONS
RP	TTF	G1				FWFC	SR*
			2x2	20L (16W) 25L (20W) 31L (24W) 36L (28W)	835 = 3500K/85CRI	FWFC = WATTAGE + COLOR SELECTABLE	OCC = PIR OCCUPANCY SENSOR OCCRF = SIMPLE WIRELESS GROUPING SENSOR BT = LOW ENERGY NETWORK (NODE) ③ OCCBT = LOW ENERGY NETWORK (PIR OCCUPANCY SENSOR) ④ EMG = EMERGENCY BATTERY BACKUP 90 MIN / 500 LM AIR = AIR RETURN
			1x4	25L (20W) 33L (26W) 43L (34W) 53L (40W)	840 = 4000K/85CRI		
			2x4		850 = 5000K/85CRI		

EXAMPLE PART NUMBER RP-TTF-G1-2X2-20L-840-FWFC-OCC-AIR

\*SR (SENSOR READY). REMOVE SR WHEN ORDERING W/ OCC, OCCRF, BT, OCCBT, EMG OR AIR.

### SURFACE MOUNT KIT

### FLANGE KIT

PART#	DESCRIPTION	PART#	DESCRIPTION
RPT-LEDPANEL-SMK-2X2	2X2 SURFACE MOUNT KIT	RPT-LEDPANEL-FMK-2X2-A	2X2 FLANGE KIT
RPT-LEDPANEL-SMK-1X4	1X4 SURFACE MOUNT KIT	RPT-LEDPANEL-FMK-1X4-A	1X4 FLANGE KIT
RPT-LEDPANEL-SMK-2X4	2X4 SURFACE MOUNT KIT	RPT-LEDPANEL-FMK-2X4-A	2X4 FLANGE KIT

PART #	SIZE	LUMENS	WATTAGE	COLOR	DLC CODES		
RP-TTF-G1-2X2-20L-835-FWFC-SR	2X2	2000	16	3500	PDJZ455J		
<b>RP-TTF-G1-2X2-20L-840-FWFC-SR</b>		2032		4000			
RP-TTF-G1-2X2-20L-850-FWFC-SR		2032		5000			
RP-TTF-G1-2X2-25L-835-FWFC-SR		2X2	2500	20	3500	PSCTWQJJ	
RP-TTF-G1-2X2-25L-840-FWFC-SR			2540		4000		
RP-TTF-G1-2X2-25L-850-FWFC-SR			2540		5000		
RP-TTF-G1-2X2-31L-835-FWFC-SR			3072	24	3500	PCHWMOEF	
RP-TTF-G1-2X2-31L-840-FWFC-SR			3120		4000		
RP-TTF-G1-2X2-31L-850-FWFC-SR			3120		5000		
RP-TTF-G1-2X2-36L-835-FWFC-SR		1X4	3584	28	3500	P21BZH1B	
RP-TTF-G1-2X2-36L-840-FWFC-SR			3640		4000		
RP-TTF-G1-2X2-36L-850-FWFC-SR			3640		5000		
RP-TTF-G1-1X4-20L-835-FWFC-SR	1X4		1968	16	3500	PVY1ZQ7X	
RP-TTF-G1-1X4-20L-840-FWFC-SR			1984		4000		
RP-TTF-G1-1X4-20L-850-FWFC-SR			2000		5000		
RP-TTF-G1-1X4-25L-835-FWFC-SR			1X4	2460	20	3500	PD859M44
<b>RP-TTF-G1-1X4-25L-840-FWFC-SR</b>				2480		4000	
RP-TTF-G1-1X4-25L-850-FWFC-SR				2500		5000	
RP-TTF-G1-1X4-31L-835-FWFC-SR				3000	24	3500	PPBUV9Z0
RP-TTF-G1-1X4-31L-840-FWFC-SR				3048		4000	
RP-TTF-G1-1X4-31L-850-FWFC-SR				3100		5000	
RP-TTF-G1-1X4-36L-835-FWFC-SR		1X4	3500	28	3500	PEGDQWS7	
RP-TTF-G1-1X4-36L-840-FWFC-SR			3556		4000		
RP-TTF-G1-1X4-36L-850-FWFC-SR			3556		5000		
RP-TTF-G1-2X4-25L-835-FWFC-SR	2X4		2540	20	3500	PQDQB5GM	
RP-TTF-G1-2X4-25L-840-FWFC-SR			2600		4000		
RP-TTF-G1-2X4-25L-850-FWFC-SR			2600		5000		
RP-TTF-G1-2X4-33L-835-FWFC-SR		2X4	3350	26	3500	PAVIL5O9	
<b>RP-TTF-G1-2X4-33L-840-FWFC-SR</b>			3390		4000		
RP-TTF-G1-2X4-33L-850-FWFC-SR			3400		5000		
RP-TTF-G1-2X4-43L-835-FWFC-SR			4390	34	3500	P8NYRB0G	
RP-TTF-G1-2X4-43L-840-FWFC-SR			4450		4000		
RP-TTF-G1-2X4-43L-850-FWFC-SR			4450		5000		
RP-TTF-G1-2X4-53L-835-FWFC-SR		2X4	5160	40	3500	P1EQNH2C	
RP-TTF-G1-2X4-53L-840-FWFC-SR			5300		4000		
RP-TTF-G1-2X4-53L-850-FWFC-SR			5300		5000		

\*FOR MORE DLC INFORMATION SEE PAGE 5.

DEFAULT LUMEN PACKAGE (WATTAGE AND CCT) ARE SHOWN ABOVE IN BOLD. THERE ARE TWO WAYS TO ACHIEVE A NON-DEFAULT LUMEN PACKAGE AND/OR CCT.

1. You can easily adjust in field via our FlexWATT and FlexCOLOR internal switches. 2. Have us adjust the FlexWATT and FlexCOLOR at the factory for an additional charge.

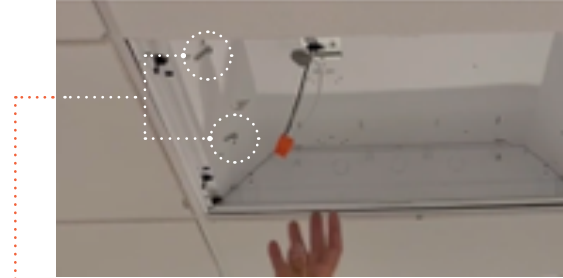


### 1. SHUT OFF POWER TO THE FIXTURE



Open the fixture lens and remove the existing fluorescent lamps, ballast cover and lens. Disconnect the ballast from the building's line voltage.

### 2. ATTACH SAFETY ANCHOR TO EXISTING FIXTURE



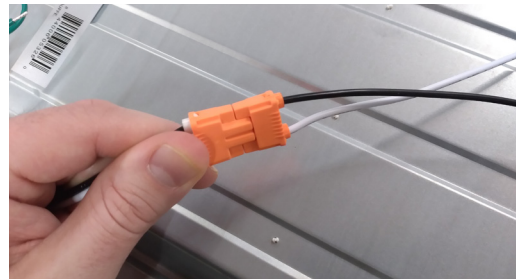
Using the supplied (2) anchor brackets and (2) self-drilling screws, attach anchor to the fixture housing.

### 3. ATTACH CARABINERS/SAFETY CABLES



Use the (2) carabiners to connect to the Troffer Transformer safety cables to the anchor points. Now the fixture will be hanging in place to make the install easier. For install onto narrow T-Grid – install centering tabs to holes on trim for guarantee straight fit.

### 4. MAKE ELECTRICAL CONNECTIONS



Connect input power via the included quick disconnect.

### 5. INSTALL KNIFE-EDGE



Align the knife-edge of the Troffer Transformer with the T-bar grid and push. The knife will be sandwiched between the T-bar and the old fixture.

### 6. COMPLETE THE INSTALL



Push the other side of the Troffer Transformer up into the existing fixture. With a TORX T30 screwdriver rotate corner screws 1/2 turn (180°) to secure the Troffer-Transformer in place with expanding latch. (2x4 center latch is 1/4 turn - 90°) Install adhesive cover to T30 latch for smooth look. Turn power ON and install is complete!



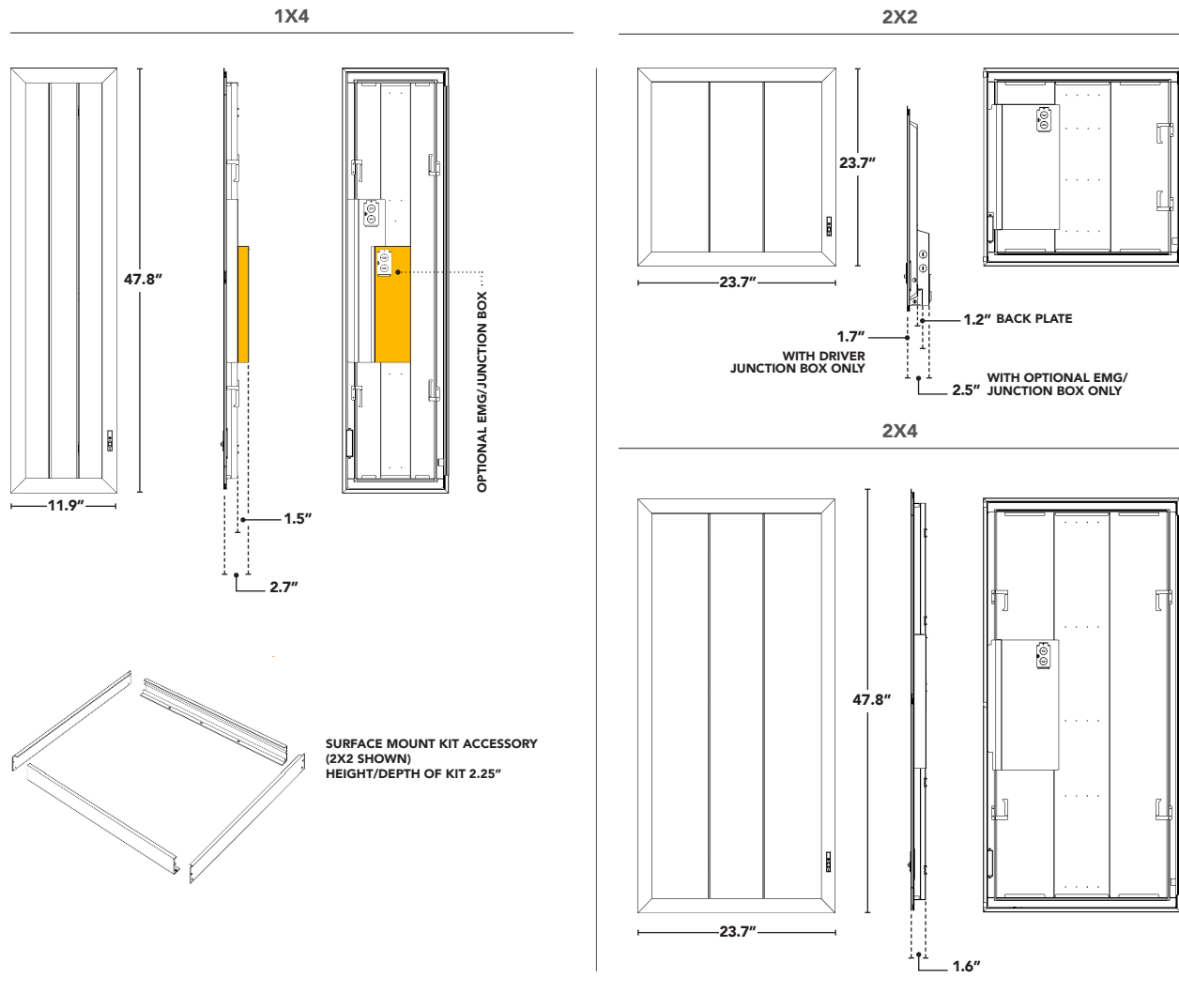
### -AIR

Use the Troffer Transformer Air Return Option (...-AIR) on flat panel or volumetric versions to include air return slots in the fixture trim.



AIR RETURN SLOTS

### TTV DIMENSIONS





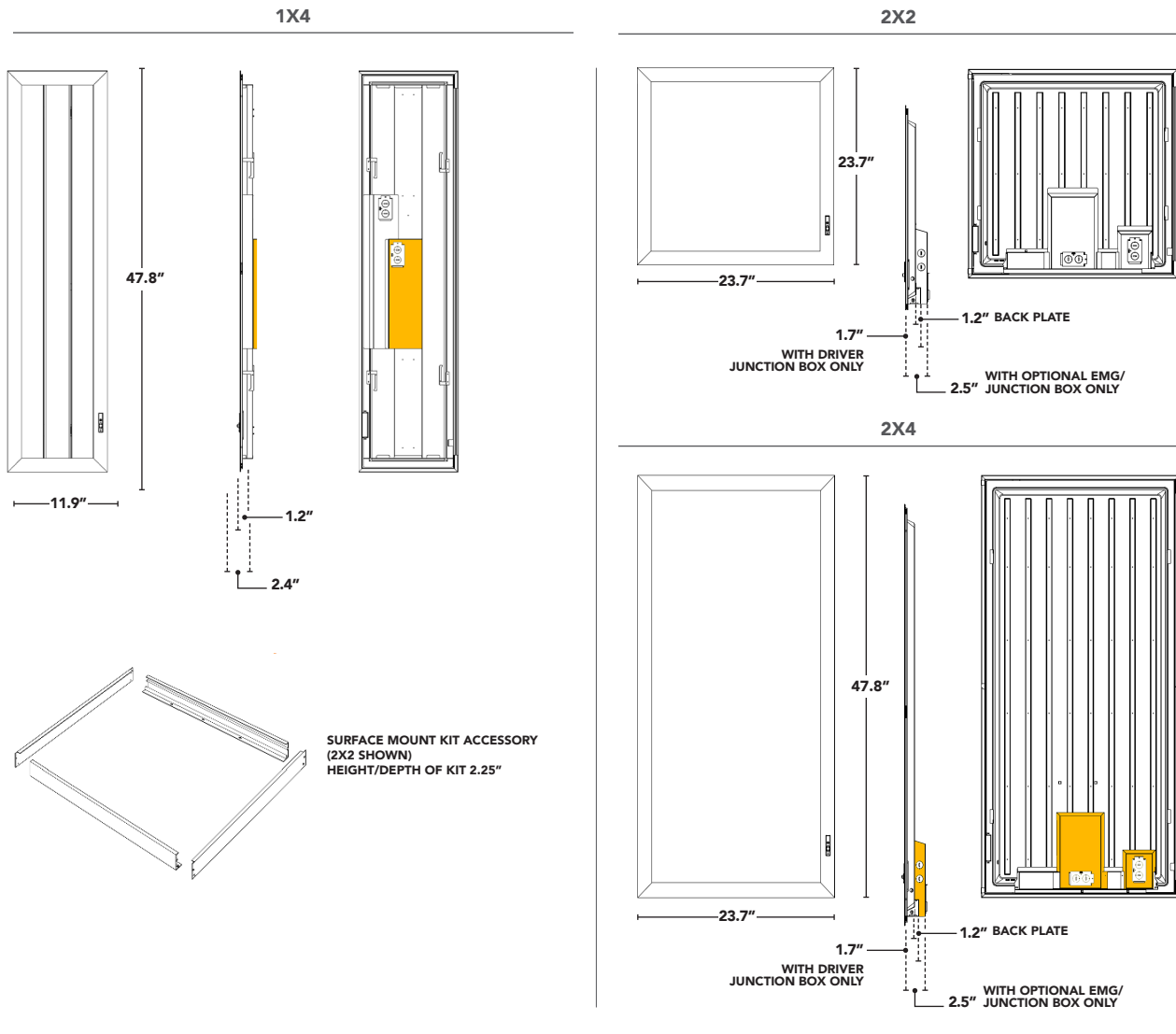
### -AIR

Use the Troffer Transformer Air Return Option (...-AIR) on flat panel or volumetric versions to include air return slots in the fixture trim.



AIR RETURN SLOTS

### TTF DIMENSIONS





## REMOTE CONTROL SETTINGS

If satisfied with default settings, remote control is not needed. If settings need to be changed, optional remote control (RP-OC2-REMOTE-IR11), is required.



### PERMANENT ON FUNCTION

Press 'ON' button, fixture goes to permanent on mode, sensor is disabled. With memory function against power failure.  
\* Press 'Auto' or 'Reset' to quit this mode.



### PERMANENT OFF FUNCTION

Press 'OFF' button, fixture goes to permanent off mode, sensor is disabled. With memory function against power failure  
\* Press 'Auto' or 'Reset' learn' to quit this mode.



### SENSOR MODE

Press 'Auto' button, the sensor starts to work and all settings remain the same as the latest status before the light was switched on/off.



### RESET FUNCTION

Press 'Reset' button, all settings go back to factory default settings.

### FACTORY DEFAULT SETTINGS - REMOTE REQUIRED TO CHANGE SETTINGS

Daylight sensor=disable  
Hold time=5min  
Twilight time=+∞  
Twilight level=30%

**NOTE** daylight harvest function is disabled in factory default mode. Choose the appropriate lux threshold first to activate the daylight harvest function.



### DISABLE DAYLIGHT SENSOR

Press 'Disable' button, the daylight sensor will be disabled, the motion sensor will work always, even in daytime.



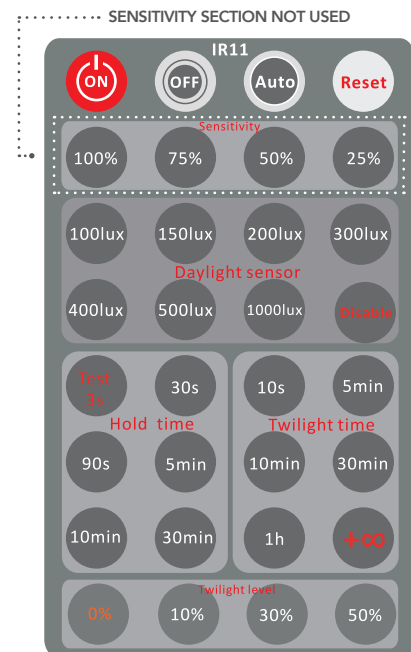
### TEST MODE

Test mode' is used for testing purpose only, for users to check the detection range.

\*\*Quit test mode by pressing any other button of 'Hold time'. The sensor settings are changed accordingly.

### TEST MODE SETTINGS

Daylight sensor=disable  
Hold time=3s  
Twilight time=N/A  
Twilight level=N/A



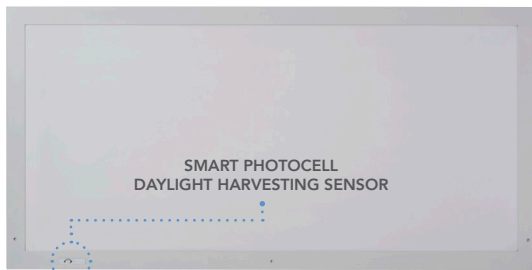
IR11

- THE LIGHT WILL BLINK (~0.5S) ONCE WHEN SENSOR SUCCESSFULLY RECEIVES RC SIGNAL AFTER PRESSING ANY VALID BUTTON.
- WHEN "TWILIGHT LEVEL" SET AT 0%, IT BECOMES ON/OFF CONTROL.



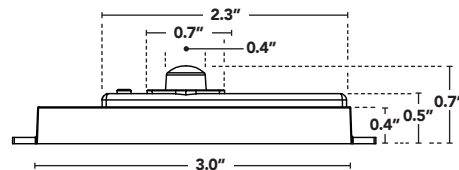
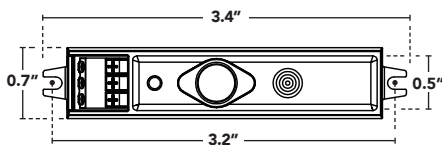


### SMART PHOTOCELL DAYLIGHT HARVESTING SENSOR



- Occupancy & daylight sensor.
- Lighting control scenarios adjust the light based on occupancy, daylight and or manual control.
- Powered by 0-10V/12V AUX connections.
- Passive infrared (PIR) occupancy sensor.
- Uses less than 0.1W in standby mode.
- Bluetooth mesh compliant.
- Bluetooth operation frequency – 2.4GHz - 2.483 GHz.
- Bluetooth transmission range – 10-30m (typical indoor).
- Input current –  $\geq 20\text{mA}$ .
- Individual/group addressing.
- Decentralized control (no single point of failure).
- Compact & flexible ready to be integrated into any suitable luminaire.
- Detection range – Max 5m.

### PIR MOTION SENSOR



PART #	UPC	WATTAGE	LUMENS	COLOR
<b>OCCUPANCY SENSING</b>				
RP-TTV-G1-2X2-20L-840-FWFC-OCCBT	844006076481	16/20/24/28	2032	3500K/4000K/5000K
RP-TTV-G1-1X4-25L-840-FWFC-OCCBT	844006086954	16/20/24/28	2480	3500K/4000K/5000K
RP-TTV-G1-2X4-33L-840-FWFC-OCCBT	844006076498	20/26/34/40	3390	3500K/4000K/5000K
RP-TTF-G1-2X2-20L-840-FWFC-OCCBT	844006078256	16/20/24/28	2032	3500K/4000K/5000K
RP-TTF-G1-1X4-25L-840-FWFC-OCCBT	844006091453	16/20/24/28	2480	3500K/4000K/5000K
RP-TTF-G1-2X4-33L-840-FWFC-OCCBT	844006091460	20/26/34/40	3390	3500K/4000K/5000K
<b>CONTROL NODE ONLY</b>				
RP-TTV-G1-2X2-20L-840-FWFC-BT	844006092269	16/20/24/28	2032	3500K/4000K/5000K
RP-TTV-G1-1X4-25L-840-FWFC-BT	844006092276	16/20/24/28	2480	3500K/4000K/5000K
RP-TTV-G1-2X4-33L-840-FWFC-BT	844006092283	20/26/34/40	3390	3500K/4000K/5000K
RP-TTF-G1-2X2-20L-840-FWFC-BT	844006092290	16/20/24/28	2032	3500K/4000K/5000K
RP-TTF-G1-1X4-25L-840-FWFC-BT	844006092306	16/20/24/28	2480	3500K/4000K/5000K
RP-TTF-G1-2X4-33L-840-FWFC-BT	844006092313	20/26/34/40	3390	3500K/4000K/5000K



## PROVISIONING / CONFIGURATIONS

---

The Bluetooth Mesh sensor is in the Unprovisioned Mode until it is provisioned by a "Provisioner", which typically is a smart phone with a Bluetooth Mesh compatible app. It is highly recommended to use the Silvair iOS app (<https://silvair.com/en/>) to make the Bluetooth Mesh sensor fully work. Please contact Silvair at [business@silvair.com](mailto:business@silvair.com) about how to get and use the app.

## BLUETOOTH MESH FACTORY RESET

---

This device can be easily reset by pressing the "Reset" button for 5 seconds. Once the factory reset is done successfully, the luminaire flashes and then permanent on, then the device is being able to be re-commissioned by **SILVAIR** app

---

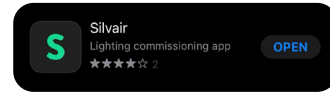
## ACCESSING THE SILVAIR APP

---

**MOBILE APP**  
SEARCH **SILVAIR** ON THE APP STORE



**WEB APP**  
GO TO [PLATFORM.SILVAIR.COM](https://platform.silvair.com)





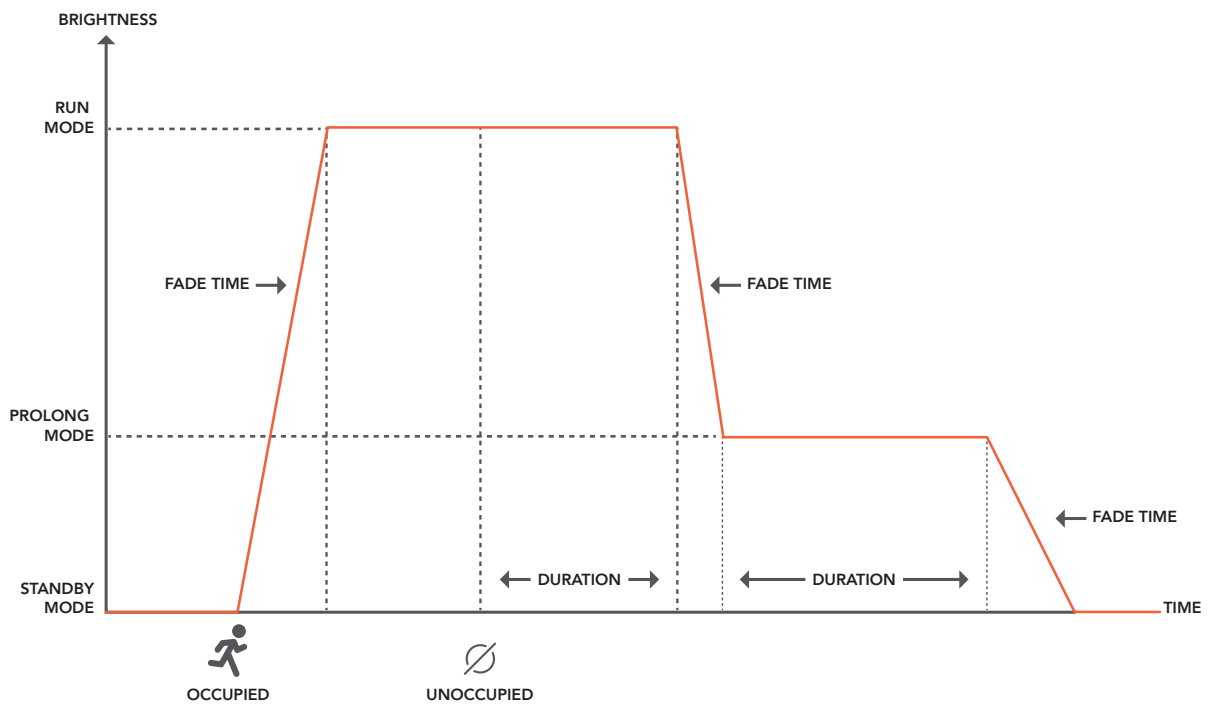
### NETWORK STATUS INDICATION (BY GREEN LED)

SIZE	120V	208V
UNPROVISIONED	30ms ON	300ms OFF
PROVISIONED	30ms ON	2000ms OFF
FACTORY RESET	100ms ON	1000ms OFF
MESH PACKAGE RECEIVED	30ms ON	50ms OFF
ATTENTION (FROM NETWORK)	500ms ON	500ms OFF

### LIGHTING CONTROL SCENARIOS

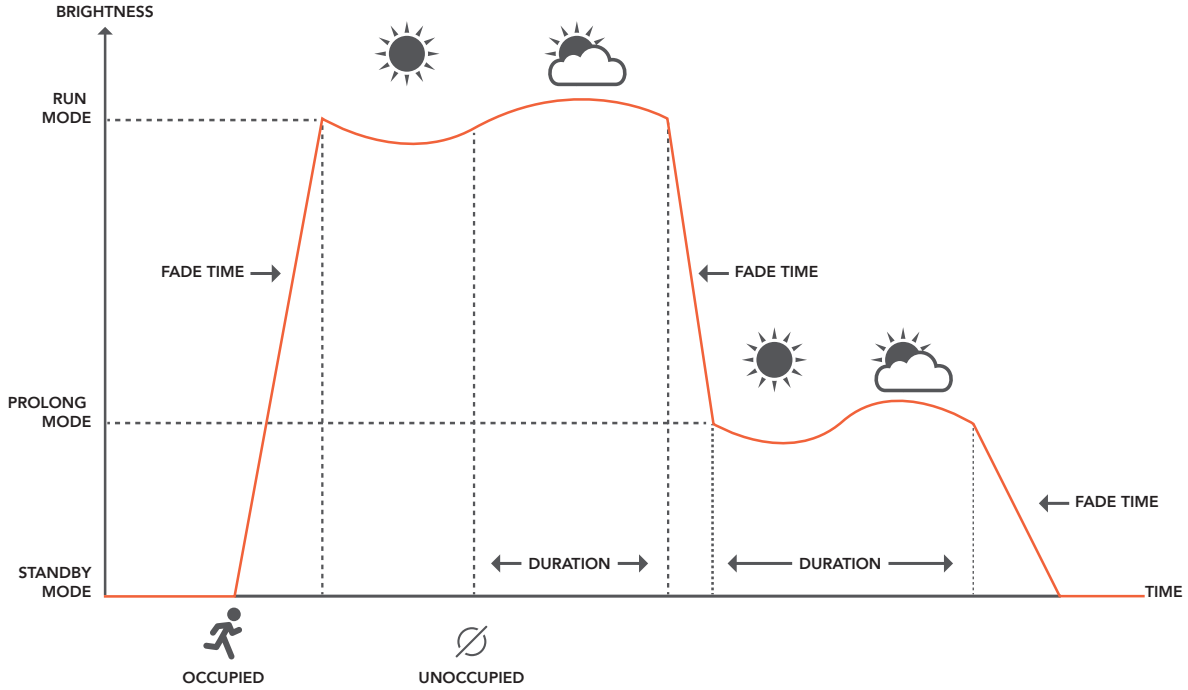
Multiple lighting control scenarios are available once the Bluetooth mesh sensor is provisioned. At each scenario, duration, fade time and target brightness can be configured at any time with the iOS app.

### EXAMPLE OCCUPANCY SENARIO

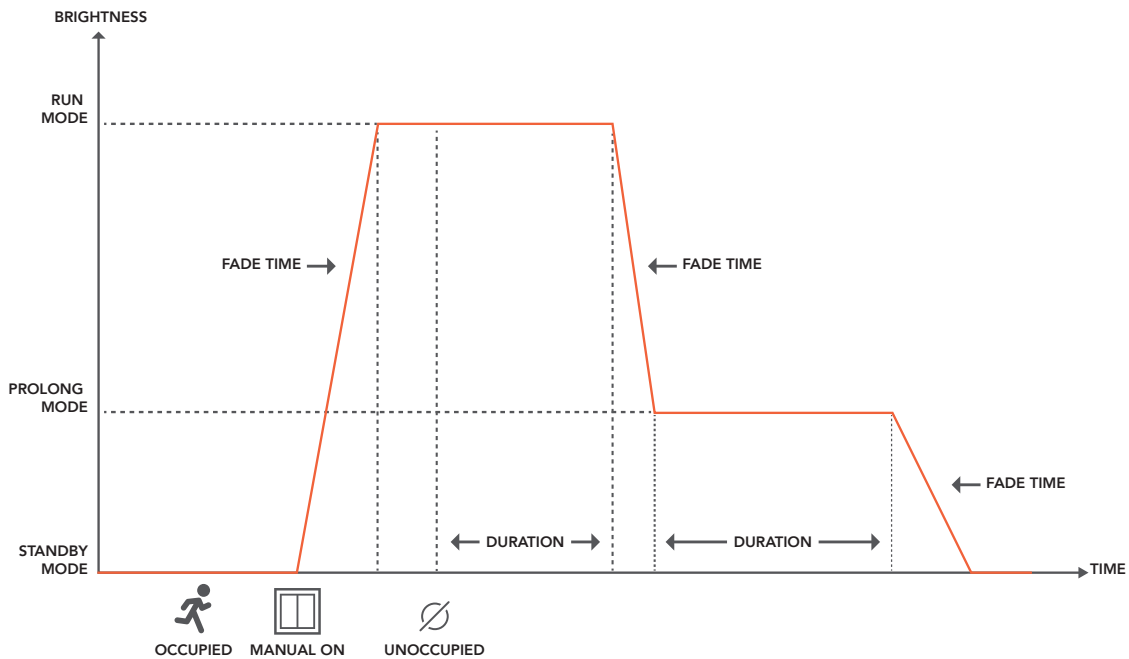




## EXAMPLE OCCUPANCY SENARIO W/ DAYLIGHT HARVESTING

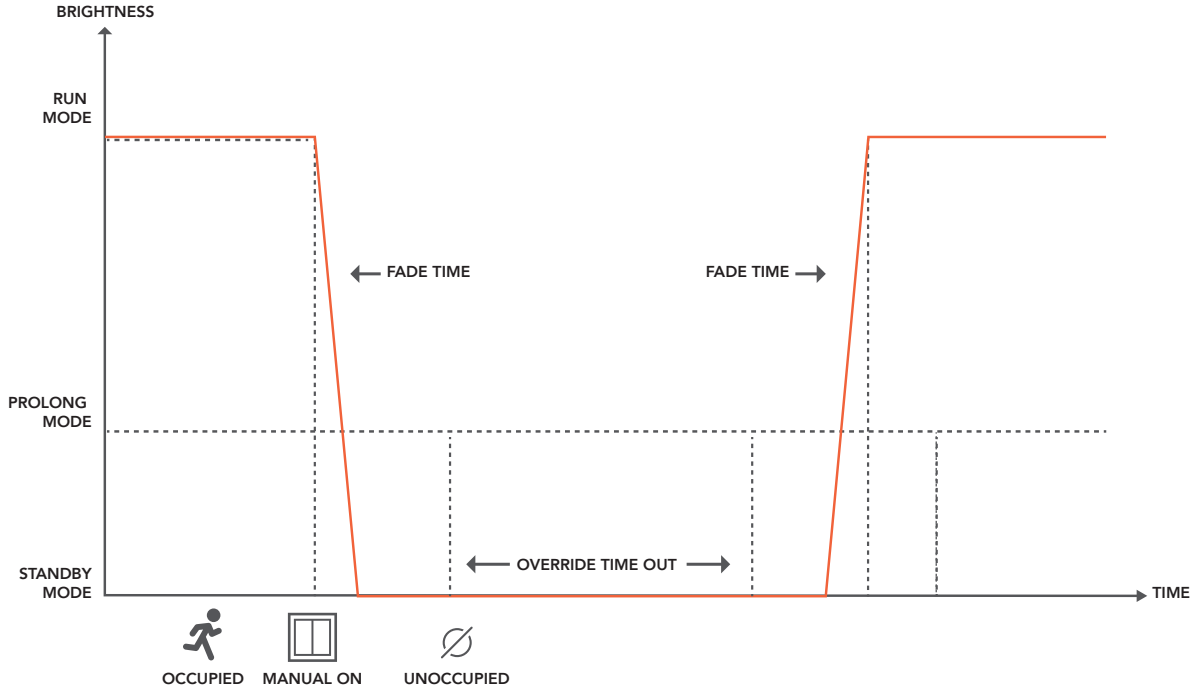


## EXAMPLE VACANCY SENARIO





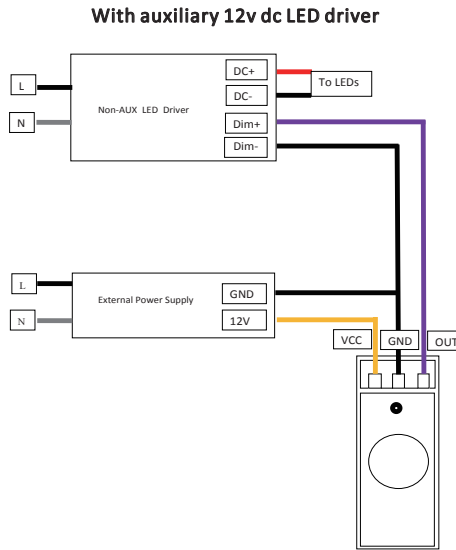
## EXAMPLE OCCUPANCY SENARIO W/ MANUAL OVERRIDE



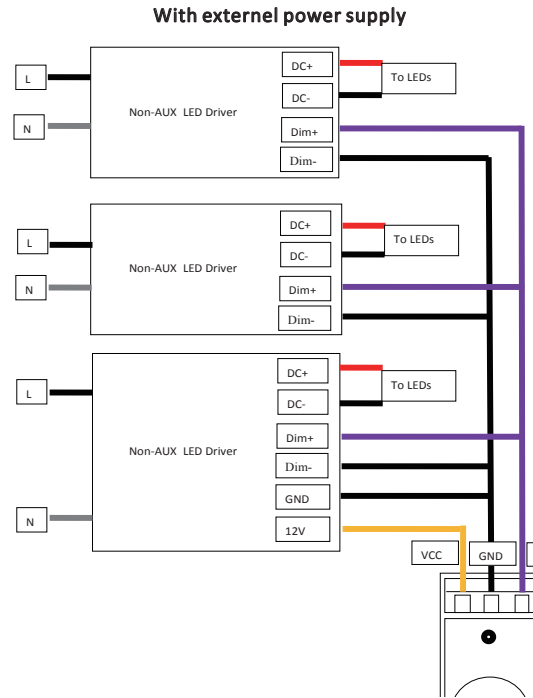


## WIRING DIAGRAM

W/ AUXILIARY 12V DC LED DRIVER

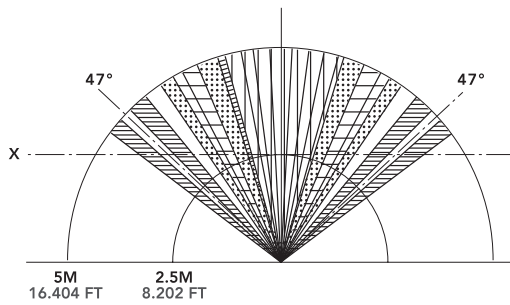


W/ EXTERNAL POWER SUPPLY



## DETECTION PATTERN

TOP VIEW



SIDE VIEW

